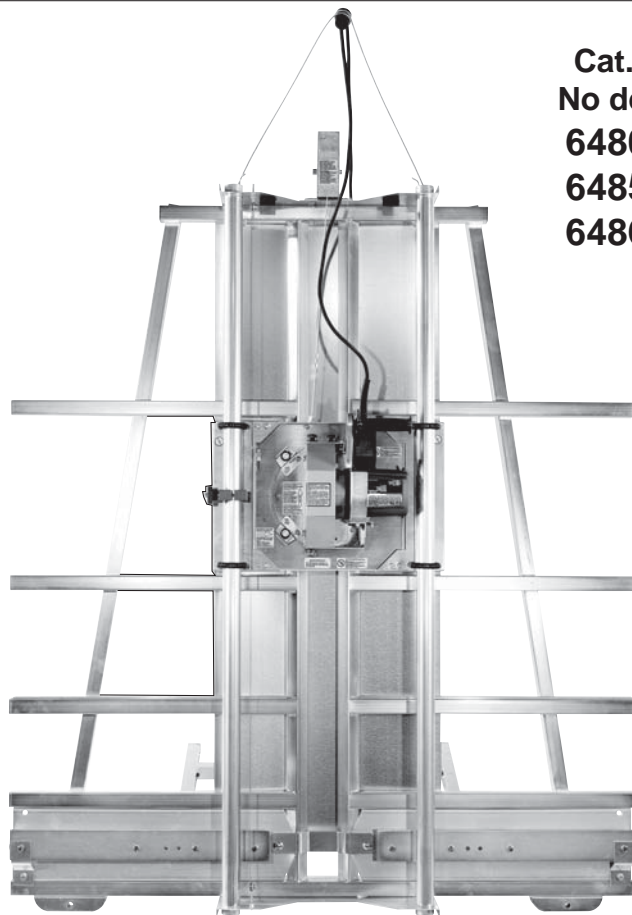




**OPERATOR'S MANUAL  
MANUEL de L'UTILISATEUR  
MANUAL del OPERADOR**

**Cat. No.  
No de cat.  
6480-20  
6485-68  
6486-68**



**HEAVY-DUTY 8" PANEL SAW  
SCIE À PANNEAU INDUSTRIELLE DE 203 mm (8")  
SIERRA PARA TABLEROS DE 203 mm (8") PARA SERVICIO PESADO**

*TO REDUCE THE RISK OF INJURY, USER MUST READ OPERATOR'S MANUAL.  
AFIN DE RÉDUIRE LE RISQUE DE BLESSURES, L'UTILISATEUR DOIT LIRE LE  
MANUEL DE L'UTILISATEUR.  
PARA REDUCIR EL RIESGO DE LESIONES, EL USUARIO DEBE LEER EL MANUAL  
DEL OPERADOR.*

## GENERAL SAFETY RULES



### WARNING

#### READ ALL INSTRUCTIONS

Failure to follow all instructions listed below, may result in electric shock, fire and/or serious personal injury.


#### SAVE THESE INSTRUCTIONS

### WORK AREA SAFETY

1. **Keep your work area clean and well lit.** Cluttered benches and dark areas invite accidents.
2. **Do not operate power tools in explosive atmospheres, such as in the presence of flammable liquids, gases, or dust.** Power tools create sparks which may ignite the dust or fumes.
3. **Keep bystanders, children, and visitors away while operating a power tool.** Distractions can cause you to lose control. Protect others in the work area from debris such as chips and sparks. Provide barriers or shields as needed.
4. **Protect others in the work area** from debris such as chips and sparks. Provide barriers or shields as needed.
5. **Make workshop child proof** with padlocks, master switches, or by removing starter keys.

### ELECTRICAL SAFETY

6. **Grounded tools must be plugged into an outlet properly installed and grounded in accordance with all codes and ordinances. Never remove the grounding prong or modify the plug in any way. Do not use any adaptor plugs. Check with a qualified electrician if you are in doubt as to whether the outlet is properly grounded.** If the tools should electrically malfunction or break down, grounding provides a low resistance path to carry electricity away from the user.
7. **Double Insulated tools are equipped with a polarized plug (one blade is wider than the other). This plug will fit in a polarized outlet only one way. If the plug does not fit fully in the outlet, reverse the plug. If it still does**

**not fit, contact a qualified electrician to install a polarized outlet. Do not change the plug in any way.** Double insulation  eliminates the need for the three wire grounded power cord and grounded power supply system.

8. **Guard against electric shock.** Prevent body contact with grounded surfaces such as pipes, radiators, ranges and refrigerators. When making blind or plunge cuts, always check the work area for hidden wires or pipes. Hold your tool by insulated nonmetal grasping surfaces. Use a Ground Fault Circuit Interrupter (GFCI) to reduce shock hazards.
9. **Do not expose power tools to rain or wet conditions.** Water entering a power tool will increase the risk of electric shock.
10. **Do not abuse the cord. Never use the cord to carry the tools or pull the plug from an outlet. Keep cord away from heat, oil, sharp edges or moving parts. Replace damaged cords immediately.** Damaged cords increase the risk of electric shock.
11. **When operating a power tool outside, use an outdoor extension cord marked "W-A" or "W".** These cords are rated for outdoor use and reduce the risk of electric shock.

### PERSONAL SAFETY

12. **Know your power tool.** Read this manual carefully to learn your power tool's applications and limitations as well as potential hazards associated with this type of tool.
13. **Stay alert, watch what you are doing, and use common sense when operating a power tool. Do not use tool while tired or under the influence of drugs, alcohol, or medication.** A moment of inattention while operating power tools may result in serious personal injury.

14. **Dress properly. Do not wear loose clothing or jewelry. Contain long hair. Keep your hair, clothing, and gloves away from moving parts.** Loose clothes, jewelry, or long hair can be caught in moving parts. When working outdoors, wear rubber gloves and insulated non-skid footwear. Keep hands and gloves away from moving parts.
15. **Avoid accidental starting. Be sure switch is off before plugging in.** Do not use a tool if the power switch does not turn the tool on and off. Do not carry a plugged-in tool with your finger on the switch.
16. **Remove adjusting keys or wrenches before turning on the tool.** A wrench or a key that is left attached to a rotating part of the tool may result in personal injury.
17. **Do not overreach. Keep proper footing and balance at all times.** Proper footing and balance enables better control of the tool in unexpected situations.
18. **Use safety equipment.** Everyone in the work area should wear safety goggles or glasses with side shields complying with current safety standards. Everyday eyeglasses only have impact resistant lenses. They are not safety glasses. Wear hearing protection during extended use and a dust mask for dusty operations. Hard hats, face shields, safety shoes, etc., should be used when specified or necessary. Keep a fire extinguisher nearby.
19. **Keep guards in place** and in working order.
20. **Never stand on tool.** Serious injury could occur if the tool is tipped or if the cutting tool is unintentionally contacted.
21. **Keep hands away from all cutting edges and moving parts.**
22. **Use clamps or other practical way to secure and support the workpiece to a stable platform.** Holding the work by hand or against your body is unstable and may lead to loss of control.

### TOOL USE AND CARE

23. **Do not force tool.** Your tool will perform best at the rate for which it was designed. Excessive force only causes operator fatigue, increased wear and reduced control.

24. **Use the right tool.** Do not use a tool or attachment to do a job for which it is not recommended. For example, do not use a circular saw to cut tree limbs or logs. Do not alter a tool.
25. **Disconnect the plug from the power source before making any adjustments, changing accessories, or storing the tool.** Such preventive safety measures reduce the risk of starting the tool accidentally.
26. **Store idle tools out of reach of children and other untrained persons.** Tools are dangerous in the hands of untrained users.
27. **Never leave the tool running unattended.** Turn power off. Do not leave the tool until it comes to a complete stop.
28. **Check for misalignment or binding of moving parts, breakage of parts, and any other condition that may affect the tool's operation. If damaged, have the tool serviced before using.** Many accidents are caused by poorly maintained tools.
29. **Use only accessories that are recommended by the manufacturer for your model.** Accessories that may be suitable for one tool, may become hazardous when used on another tool.
30. **Maintain tools with care. Keep cutting tools sharp and clean.** Properly maintained tools with sharp cutting edge are less likely to bind and are easier to control. Do not use a damaged tool. Tag damaged tools "Do not use" until repaired.

### SERVICE

31. **Tool service must be performed only by qualified repair personnel.** Service or maintenance performed by unqualified personnel could result in a risk of injury.
32. **When servicing a tool, use only identical replacement parts. Follow instructions in the Maintenance section of this manual.** Use of unauthorized parts or failure to follow Maintenance Instructions may create a risk of electric shock or injury.









## SPECIFIC SAFETY RULES

1. **Maintain labels and nameplates.** These carry important information. If unreadable or missing, contact a *MILWAUKEE* service facility for a free replacement.
2. **WARNING!** Some dust created by power sanding, sawing, grinding, drilling, and other construction activities contains chemicals known to cause cancer, birth defects or other reproductive harm. Some examples of these chemicals are:
  - lead from lead-based paint
  - crystalline silica from bricks and cement and other masonry products, and
  - arsenic and chromium from chemically-treated lumber.

Your risk from these exposures varies, depending on how often you do this type of work. To reduce your exposure to these chemicals: work in a well ventilated area, and work with approved safety equipment, such as those dust masks that are specifically designed to filter out microscopic particles.
3. **Handle the counterbalance with care.** The cable is under tension. Always assemble cable to saw carriage before removing cable clip. Do not pull on cable by hand or attempt to disassemble or repair the counterbalance.
4. **Do not defeat the guards or operate the tool without the guards in place.**
5. **Do not use push sticks.** Push sticks or the workpiece can kick back, cause the blade to pinch, or become caught in the blade and be thrown from the tool.
6. **Cross-cutting (vertical cutting) must always be done from the top down.** Saw carriage should be raised to the uppermost position on the guide tubes and locked into position with the carriage lock whenever the tool is not in use. See "Cross-Cutting".
7. **Ripping (horizontal cutting) must rip-ping must always be done by moving the workpiece through the saw in the direction of the arrow on the saw motor.** Saw carriage should be raised to the top of the guide tubes and locked into position with the carriage lock whenever tool is not in use. See "Rip Cutting".
8. **Never cut a workpieces with a width smaller than that of the saw carriage.** Proper support for the workpiece must be maintained to insure safety. When the carriage moves over the workpiece, it would be impossible to safely support the workpiece for the cut. Use a tool better suited for these applications.
9. **Always wait for blade to stop completely before changing positions.** Unplug the tool before transporting or moving it.
10. **Do not place hands on or under saw carriage or in the path of the blade.** Do not attempt to retrieve a piece of material that is cut off while the blade is rotating.
11. **Make workshop child proof** with padlocks, master switches, or by removing starter keys. See "Lock-Off Feature".
12. **Replace guards after blade change.** Maintain guards in working order.
13. **Direction of feed.** Feed work into a blade or cutter against the direction of rotation of the blade or cutter only.
14. **Causes and Operator Prevention of KICKBACK:**  
 KICKBACK is a sudden reaction to a pinched, bound or misaligned saw blade, causing an uncontrolled saw to lift up and out of the workpiece toward the operator.  
  
 When the blade is pinched or bound tightly by the kerf closing down, the blade stalls and the motor reaction drives the unit rapidly back toward the operator when cross-cutting and throws out the workpiece if ripping.  
  
 If the blade becomes twisted or misaligned in the cut, the teeth at the back edge of the blade can dig into the top surface of the wood causing the blade to climb out of the kerf and jump back toward operator.  
  
 KICKBACK is the result of tool misuse and/or incorrect operating procedures or conditions and can be avoided by taking proper precautions as given below:

- **Keep blade clean and sharp.** Unsharpened or improperly set blades produce narrow kerf causing excessive friction, blade binding and KICKBACK. Any blade with a small set, even though sharp, may be likely to kick back. A dull blade encourages the operator to force the saw, causing reduced control and blade binding. The excessive friction generated can cause the blade to warp or bind. Use only blades which are recommended for use with your tool. Do not use blades with incorrect size or shaped mounting holes. Never use defective or incorrect blade washers or bolts. Be sure the blade bolt is tight. Select the proper blade for the application. Blade speed specifications must be at least as high as nameplate RPM.
- **Do not force tool.** Let the saw do the work. A saw is more readily controlled and will do a better job when used in the manner for which it was designed.
- **Stay alert.** Watch what you are doing and use common sense. Do not allow yourself to be distracted. Do not operate tool when tired, under the influence of drugs or alcohol. Hold the tool or material firmly and exercise control at all times. Position yourself and co-workers out of the kick back path. Repetitive cuts which lull the operator into careless movements can also cause kick back. A brief "stretch" may be all that is necessary to avoid a problem.
- **When blade is binding, or when interrupting a cut for any reason, turn the switch off and hold the saw motionless in the material until the blade comes to a complete stop. Never attempt to remove the saw from the work or pull the saw backward while the blade is in motion or KICKBACK may occur.** Investigate and take corrective actions to eliminate the cause of blade binding.
- **To remove the blade after stopping mid-cut,** allow the blade to stop and then back up the saw (cross-cutting) or board (rip-cutting).
- **When restarting a saw in the workpiece, center the saw blade in the kerf and check that saw teeth are not engaged into the material.** If saw blade is binding, it may walk up or KICKBACK from the workpiece as the saw is restarted.
- **Avoid cutting nails.** Inspect for and remove all nails before cutting.

### Symbology

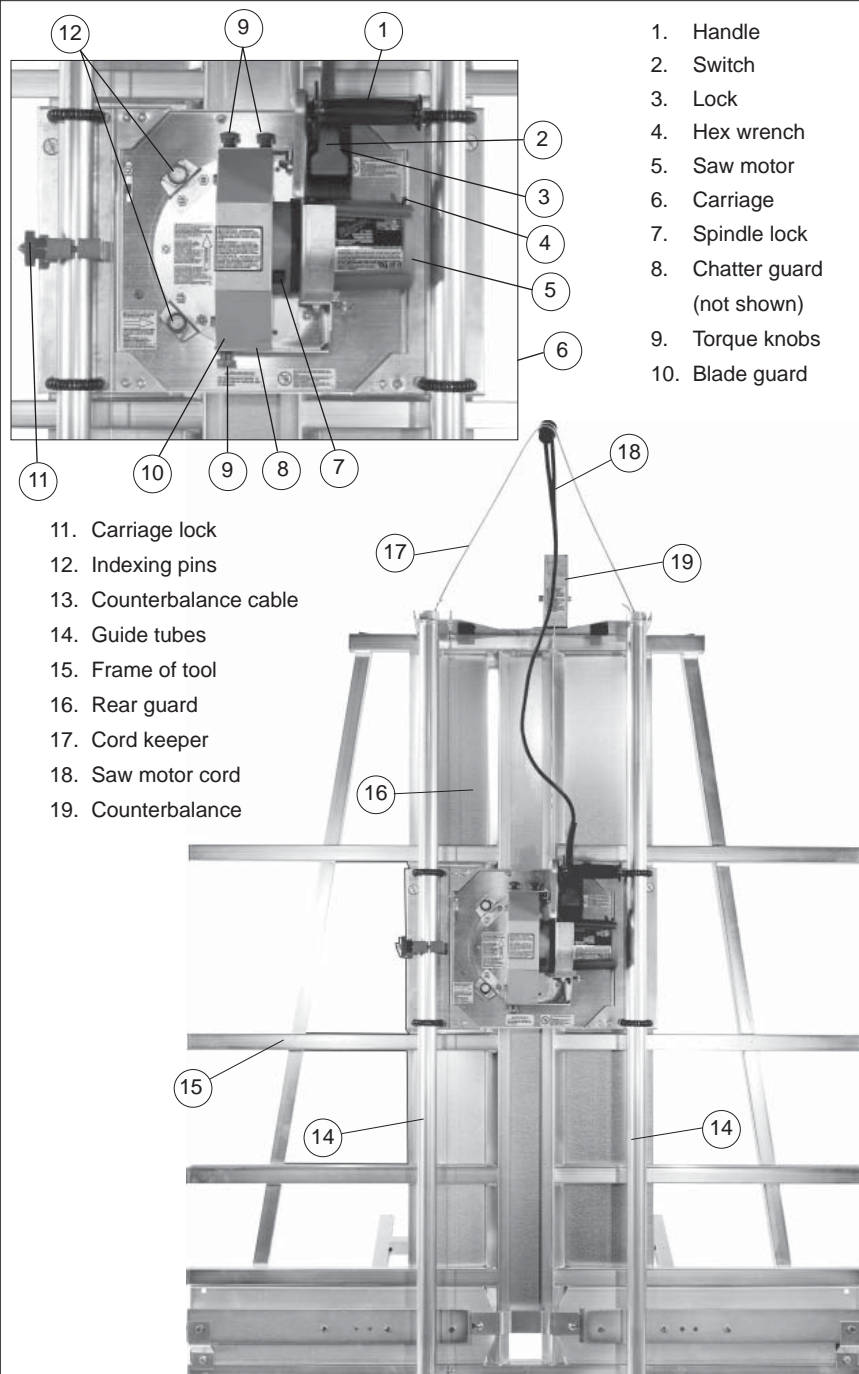
|   |   |   |  |
|---|---|---|--|
|    | Double Insulated                                      |    | Volts Alternating Current  |
|   | Underwriters Laboratories, Inc.                       |   | Amperes  |
|  | Underwriters Laboratories, Inc., Recognized Component |  | Do not place hands on or under saw carriage or in the path of the blade. |
|  | No Load Revolutions per Minute (RPM)                  |  | Do not expose to rain or use in damp locations.                          |

### Specifications

| Cat. No.                    | Volts AC | Amps | Speed | Blade Size | Arbor | Capacity * |        |
|-----------------------------|----------|------|-------|------------|-------|------------|--------|
|                             |          |      |       |            |       | Thickness  | Height |
| <b>6480-20</b>              | 120      | 15   | 5800  | 8-1/4"     | 5/8"  | 1-3/4"     | 50"    |
| <b>6486-20 (motor only)</b> | 120      | 15   | 5800  | 8-1/4"     | 5/8"  | --         | --     |
| <b>6485-68 (motor only)</b> | 220-240  | 7.5  | 5800  | 8-1/4"     | 5/8"  | --         | --     |
| <b>6486-68 (motor only)</b> | 220-240  | 7.5  | 5800  | 8-1/4"     | 5/8"  | --         | --     |

\* For additional limitations, see the "Rip Cutting" and "Cross-cutting" sections.

## FUNCTIONAL DESCRIPTION



1. Handle
2. Switch
3. Lock
4. Hex wrench
5. Saw motor
6. Carriage
7. Spindle lock
8. Chatter guard (not shown)
9. Torque knobs
10. Blade guard

11. Carriage lock
12. Indexing pins
13. Counterbalance cable
14. Guide tubes
15. Frame of tool
16. Rear guard
17. Cord keeper
18. Saw motor cord
19. Counterbalance

## GROUNDING



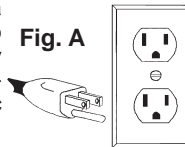
### WARNING

Improperly connecting the grounding wire can result in the risk of electric shock. Check with a qualified electrician if you are in doubt as to whether the outlet is properly grounded. Do not modify the plug provided with the tool. Never remove the grounding prong from the plug. Do not use the tool if the cord or plug is damaged. If damaged, have it repaired by a MILWAUKEE service facility before use. If the plug will not fit the outlet, have a proper outlet installed by a qualified electrician.

### Grounded Tools: Tools with Three Prong Plugs

Tools marked "Grounding Required" have a three wire cord and three prong grounding plug. The plug must be connected to a properly grounded outlet (See Figure A). If the tool should electrically malfunction or break down, grounding provides a low resistance path to carry electricity away from the user, reducing the risk of electric shock.

Fig. A



The grounding prong in the plug is connected through the green wire inside the cord to the grounding system in the tool. The green wire in the cord must be the only wire connected to the tool's grounding system and must never be attached to an electrically "live" terminal.

Your tool must be plugged into an appropriate outlet, properly installed and grounded in accordance with all codes and ordinances. The plug and outlet should look like those in Figure A.

### Double Insulated Tools: Tools with Two Prong Plugs

Tools marked "Double Insulated" do not require grounding. They have a special double insulation system which satisfies OSHA requirements and complies with the applicable standards of Underwriters Laboratories, Inc., the Canadian Standard Association and the National Electrical Code. Double Insulated tools may be used in either of the 120 volt outlets shown in Figures B and C.

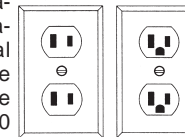


Fig. B Fig. C

## EXTENSION CORDS

Grounded tools require a three wire extension cord. Double insulated tools can use either a two or three wire extension cord. As the distance from the supply outlet increases, you must use a heavier gauge extension cord. Using extension cords with inadequately sized wire causes a serious drop in voltage, resulting in loss of power and possible tool damage. Refer to the table shown to determine the required minimum wire size.

The smaller the gauge number of the wire, the greater the capacity of the cord. For example, a 14 gauge cord can carry a higher current than a 16 gauge cord. When using more than one extension cord to make up the total length, be sure each cord contains at least the minimum wire size required. If you are using one extension cord for more than one tool, add the nameplate amperes and use the sum to determine the required minimum wire size.

### Guidelines for Using Extension Cords

- If you are using an extension cord outdoors, be sure it is marked with the suffix "W-A" ("W" in Canada) to indicate that it is acceptable for outdoor use.
- Be sure your extension cord is properly wired and in good electrical condition. Always replace a damaged extension cord or have it repaired by a qualified person before using it.
- Protect your extension cords from sharp objects, excessive heat and damp or wet areas.

### Recommended Minimum Wire Gauge for Extension Cords\*

| Nameplate Amperes | Extension Cord Length |     |     |      |      |
|-------------------|-----------------------|-----|-----|------|------|
|                   | 25'                   | 50' | 75' | 100' | 150' |
| 0 - 2.0           | 18                    | 18  | 18  | 18   | 16   |
| 2.1 - 3.4         | 18                    | 18  | 18  | 16   | 14   |
| 3.5 - 5.0         | 18                    | 18  | 16  | 14   | 12   |
| 5.1 - 7.0         | 18                    | 16  | 14  | 12   | 12   |
| 7.1 - 12.0        | 16                    | 14  | 12  | 10   |      |
| 12.1 - 16.0       | 14                    | 12  | 10  |      |      |
| 16.1 - 20.0       | 12                    | 10  |     |      |      |

\* Based on limiting the line voltage drop to five volts at 150% of the rated amperes.

**READ AND SAVE ALL  
INSTRUCTIONS FOR  
FUTURE USE.**

## TOOL ASSEMBLY



### WARNING

To reduce the risk of injury, always unplug tool before attaching or removing accessories or making adjustments. Use only specifically recommended accessories. Others may be hazardous.

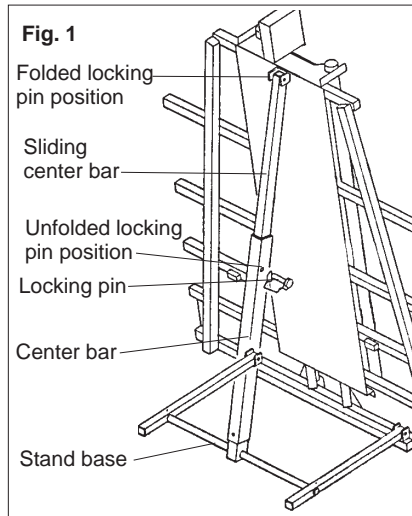
### Assembly Order

To avoid injury or damage to the tool, follow the order of sections in "Tool Assembly". Set up the tool in the following order of sections:

1. Setting up the Stand
2. Installing the Counterbalance
3. Mounting the Saw Motor
4. Installing Blades
5. Adjusting the Rulers
6. Installing the Blade Guard
7. Installing the Cord Keeper

### Setting up the Stand

Use at least two people to remove packaging and set up the stand. One person should hold the stand in an upright position while the other removes the packaging and sets the folding stand to make the tool free-standing.



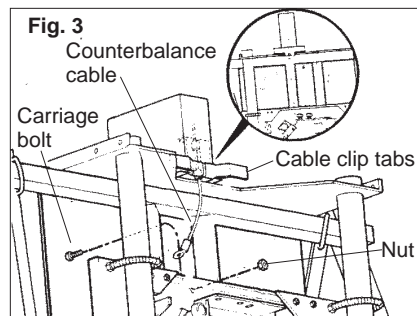
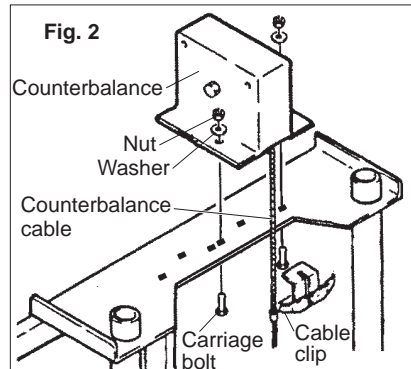
1. While having another person hold the stand in the upright position, stand behind the tool. Remove the locking pin from the folded locking pin position with one hand while holding the stand base with your other hand so it does not unfold onto your feet.
2. Unfold the stand slowly until the hole in the sliding center bar is aligned with the hole in the center bar.
3. Insert the locking pin through the holes and lock it securely.



### WARNING

To reduce the risk of injury or damage to components, do not attempt to disassemble or repair the counterbalance. Do not pull on the counterbalance cable. The cable is under strong spring force. Unit must be properly assembled before removing cable clip.

### Installing the Counterbalance



8

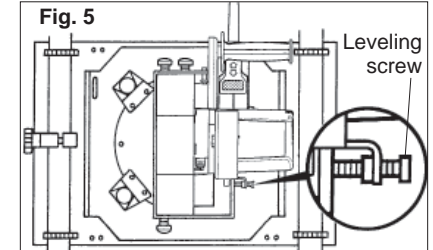
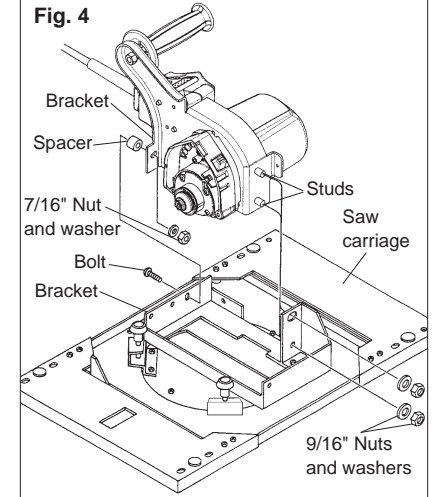
1. Remove the (2) 1/4" - 20 nuts, (2) washers and (2) 1/4"-20 x 5/8" carriage bolts from the counterbalance. Leave the nut and bolt on the counterbalance cable in place.
2. Remove the end of the cable from the inside of the counterbalance. The counterbalance must be installed off-center to the **right** (while facing the saw from the front): holes are cut into the top of the tool frame.

3. Secure the counterbalance to the tool using (2) carriage bolts, (2) washers, and (2) nuts.

**NOTE:** The carriage bolts are installed from the bottom up. Tighten nuts securely.

4. Hold the saw carriage securely while loosening the carriage lock.
5. Raise the saw carriage until the oval hole in the saw carriage aligns with the eye hole in the counterbalance cable, making sure the cable is behind the saw carriage.
6. Tighten the carriage lock.
7. Remove the nut from the carriage bolt and insert the bolt through the hole in the saw carriage and the eye hole in the counterbalance cable. Thread the nut onto the bolt and tighten securely.
8. Bend the cable clip tabs down by hand.
9. Loosen the carriage lock and lower the saw carriage until the cable clip is fully exposed.
10. Tighten the carriage lock.
11. Remove the cable clip from the counterbalance cable and save it for future use (i.e., If you remove the counterbalance in the future, you will need the cable clip to support the tension in the counterbalance.)

### Mounting the Saw Motor



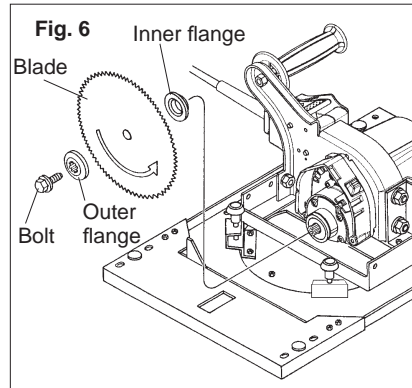
The motor is shipped with (3) washers, (3) nuts, (1) spacer, and (1) bolt. Remove these items to mount the saw.

1. Loosen the carriage lock and lower the saw carriage to a comfortable work height.
2. Tighten the carriage lock securely.
3. Mount the motor to the saw carriage by inserting the studs on the saw motor through the holes in the saw carriage (Fig. 4).
4. Install washers and nuts. Hand-tighten only.
5. Align the hole in the bracket that extends from the saw handle with the hole on the saw carriage.
6. Place the spacer between the bracket on the carriage and bracket on the saw handle.
7. Insert the bolt through the saw handle bracket, through the spacer, and through the hole in the carriage bracket.
8. Thread a nut onto the bolt. Hand-tighten only.

9

- Make sure the plate on the saw motor is flush against the leveling screw to ensure the saw is square (Fig. 5). This screw is factory set and does not require adjustments.
- Tighten the two NUTS ON STUDS FIRST and tighten the NUT ON BOLT LAST.

### Installing Blades

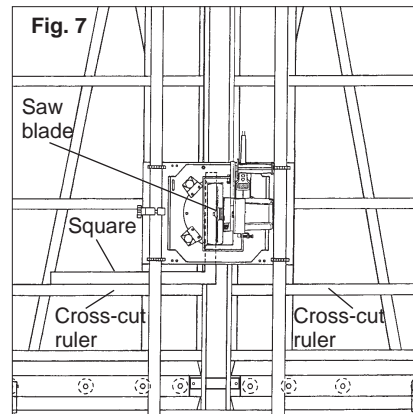


### WARNING

To reduce the risk of injury, do not operate the saw without the guards in place (see "Installing the Blade Guard").

- Make sure the tool is unplugged.
- While holding in the spindle lock button, use the wrench provided with the tool to turn the bolt on the saw motor spindle counterclockwise. Remove the bolt.
- Remove the outer flange, but leave the inner flange on the spindle.
- Install the blade with the arrow pointing counterclockwise (Fig. 6).
- Replace the outer flange.
- Tighten the bolt clockwise while holding in the spindle lock button.
- Adjust the rulers (see "Adjusting the Rulers") and install the blade guard (see "Installing the Blade Guard").

### Adjusting the Rulers



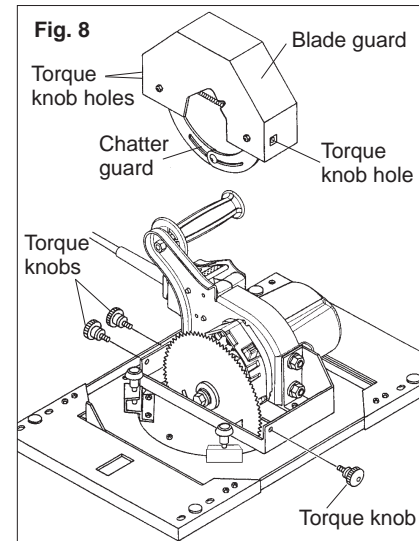
The tool is equipped with a rip ruler and two cross-cut rulers (one on each side of the tool). The rip ruler is adjusted at the factory, but the two cross-cut rulers must be adjusted. The blade must be installed before setting the cross-cut rulers (see "Installing Blades").

- Make sure the tool is unplugged.
  - Loosen the carriage lock and lower the saw carriage.
  - To align the cross-cut ruler, use a square that measures at least 14" on one side.
  - Line up one edge of the square with the tips on the saw blade and the other edge of the square with the ruler.
  - Slide the ruler so its measure matches the measure on the square. A magnet holds the ruler in place, but you may wrap clear tape around the ruler and frame for additional hold.
  - Repeat the steps above to adjust the cross-cut ruler on the other side of the tool.
- NOTE:** After the tool is completely assembled, make a sample cut to verify that the ruler is adjusted correctly.

### WARNING

To reduce the risk of injury, do not operate the saw without the guards in place.

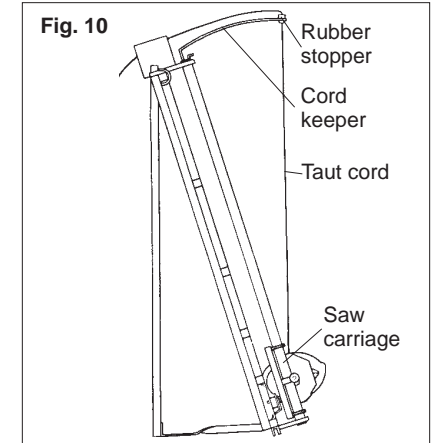
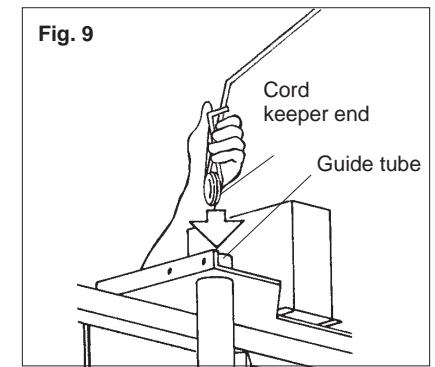
### Installing the Blade Guard



Always install the blade guard before operating the saw. The guard is shipped with the chatter guard pushed up inside the blade guard and three torque knobs installed. Reach up into the blade guard and pull down the chatter guard. Remove the knobs to install the guard. Leave the rubber washers on the torque knobs to prevent the knobs from slipping.

- Make sure the tool is unplugged.
- To attach the guard, line up the torque knob holes on the blade guard and the saw carriage (Fig. 8).
- Install the three torque knobs.
- Return carriage to the top of guide tubes and tighten carriage lock.
- Reverse the procedure to remove the blade guard.

### Installing the Cord Keeper



The cord keeper keeps the cord away from the saw blade and away from your workpiece.

- Pinch the ends of the cord keeper together while slowly sliding them into the guide tubes (Fig. 9). This will be a very tight fit. Seat the ends securely.
- Remove the rubber stopper from the ring in the cord keeper (Fig. 10).
- Uncoil the cord and place the plug end through the ring.
- Loosen the carriage lock and lower the saw carriage to the bottom of the guide tubes. Tighten the carriage lock.
- Pull the cord keeper so it is parallel to the floor. Pull on the cord to remove slack in the cord.
- Open the rubber stopper and pull it over the cord with the small end of the taper toward the bottom.
- From above the cord keeper, press the rubber stopper into the ring on the cord keeper with the small end facing down.

If the small end of the taper is on the top, the stopper will not keep the cord in place.

- Loosen the carriage lock and allow the saw carriage to return to the top of the guide tubes. Tighten the carriage lock.

**NOTE:** If you discover there is too much or not enough slack in the cord, readjust as necessary.

- Run the cord over the top of the panel saw to get it out of the path of the saw.

You are now ready to use your panel saw. Refer to the "Operation" section for instruction on proper use.

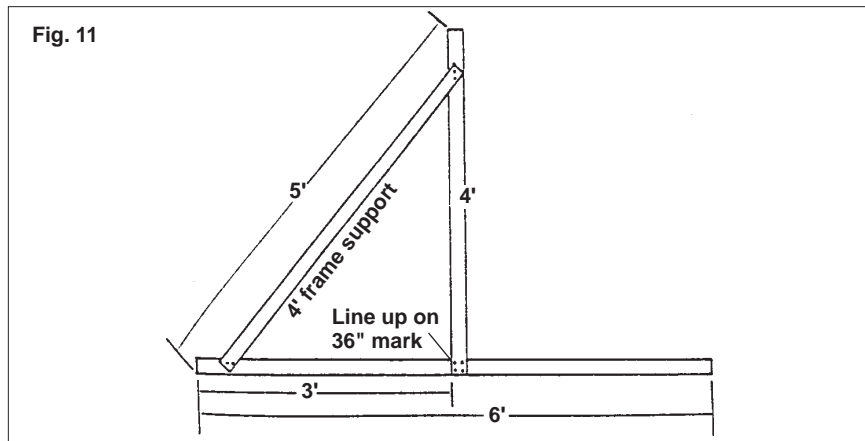
### Panel Saw Alignment

The panel saw is aligned during manufacturing to a tolerance of  $\pm 1/32"$ . Field alignment is required only if the unit is mishandled or abused, or if motor or wheel replacement is required.

Construct a field alignment tool (Fig. 11):

For maximum accuracy, manufacture a test square (Fig. 11) to check the full movement of the saw. Construct the square using one 6' metal ruler and two 4' metal rulers. Using the 3'-4'-5' measurements assures squareness. Drill holes and attach the rulers with pop rivets or small nuts and bolts. Use the 6' ruler to check squareness of the rollers and the 4' ruler to check squareness of the guide tubes. The tool also acts as a giant square for layouts.

The alignment process consists of 4 steps which must be performed in the following order.



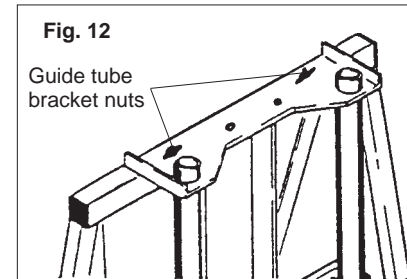
### Step 1 - Adjusting the Rollers

- To check roller alignment, remove extensions (if present).
- Retract the stand and lay the tool flat so the roller nuts are easily accessible. With proper care, you may place the tool on a table with guide tubes up.
- The outermost rollers are stationary, so adjust all other wheels to the two outermost rollers. Lay the straight edge of the field alignment tool across the rollers to verify alignment; all rollers should contact the edge.
- If a roller is "high" or "low" to the straight edge, clamp a straight edge at least 5' long to the top of the rollers so it lies flat on the frame and against the outermost rollers, positioning the clamps above the outermost roller.
- With the straight edge clamped securely in place, rotate each roller to be sure that it neither jams nor has excessive clearance to the straight edge. If a roller runs "tight" or "loose" to the straight edge, loosen the roller nut. Roller nuts are torqued and require at least an 18" breaker bar to loosen them.
- The rollers are mounted on an eccentric hub. Turning a roller when the roller nut is loose will cause the roller to change its position. You may have to lift the front roller carriage bar to rotate the eccentric hub. Turn the roller until it contacts the straight edge, being careful not to bend or bow the straight edge when repositioning the wheel. Tighten the roller nut securely, making sure the roller does not change position. Repeat this process as needed for the remaining rollers.
- Reposition the tool upright.

### Step 2 - Adjusting the Guide Tubes

If the saw does not cut at 90°, the guide tubes may not be perpendicular to the rollers. Unplug the saw cord before testing alignment or making adjustments. Check the alignment of the rollers before adjusting the guide tubes (see "Adjusting the Rollers").

- To check the guide tube alignment, remove the upper guard assembly to expose the blade. Mark a tooth to use as a reference. If using a high-speed steel blade, mark a tooth pointing toward the edge of the field alignment tool.
- Clamp the field alignment tool to the roller assembly and pull the saw carriage down slowly so the marked reference tooth just touches the vertical edge of the field alignment tool. Continue to pull the saw carriage down. If the blade does not contact the square, or if the blade binds on the square, the guide tubes are not aligned.
- To align the guide tubes, determine which direction the top of the guide should move. If the blade runs into the square, the top guide goes to the square. If the blade runs away from the square, the top guide goes away from the square.



- Loosen the guide tube bracket nuts (Fig. 12), but do not remove the tube bracket.

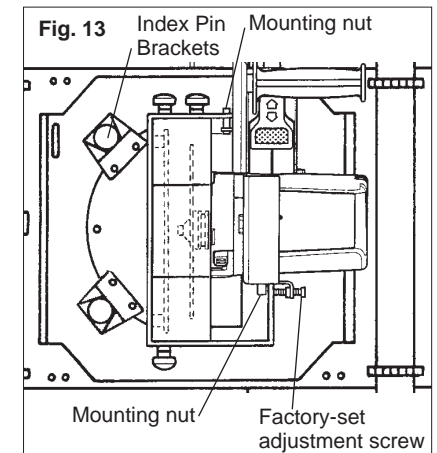
**NOTE:** Figure 12 shows the counterbalance removed for illustration purposes. It is not necessary to remove the counterbalance to perform this procedure.

- Using a deadblow mallet, strike the bracket on the side and in the direction the tubes need to move.
- Recheck the squareness of the tubes to the rollers repeating the procedure as necessary.
- Tighten the nuts on the upper guide tube bracket nuts.

### Step 3 - Adjusting the Blade - Parallelism

The blade should be parallel to the guide tubes, otherwise tail burning may occur and the kerf will be wider than the set of the blade. Make the following adjustments only if the blade appears to be out of alignment. ALWAYS check for alignment of the rollers and the guide tubes before adjusting the blade.

- To check for blade parallelism, position the saw carriage for a cross-cut and make a sample cut. If the blade "heels", burns marks on the cut, etc., check both sides of the cut to determine which side of the blade is causing the problem.
- Unplug the tool.
- Position the square on the rollers and lower the saw carriage so the square overhangs the blade.
- Place the square against the blade. The entire face of the blade should contact the square. If it does not, then the blade is not parallel to the workpiece.



- Loosen (but do not remove) the two hex head nuts holding the index pin brackets (Fig. 13). If burn marks appear on the left side of the workpiece, rotate the saw slightly clockwise until the entire face of the blade contacts the square. If burn marks appear on the right side of the workpiece, rotate the saw slightly counterclockwise until the entire face of the blade contacts the square. ONLY make slight adjustments.
- Securely tighten the two hex head nuts holding the index pin brackets.
- Plug in the tool and make another sample cut. Repeat the procedure if necessary.

#### Step 4 - Adjusting the Blade - Perpendicularity

If you remove the saw motor without making sure that the factory-set adjustment screw contacts the plate on the saw motor, then the blade will not be perpendicular (90°) to the workpiece, possibly resulting in inaccurate cuts.

1. Unplug the tool.
2. To adjust for perpendicularity, loosen the two mounting nuts on the front of the saw motor. The adjustment screw is located to the right of these nuts (Fig. 13).

3. Loosen the lock nut under the bracket. Tighten or loosen the adjustment screw depending on the angle adjustment required. ONLY make slight adjustments.
4. Tighten the lock nut, making sure the screw is against the upright plate.
5. Tighten the two hex nuts to secure the saw.
6. Plug in the tool and make a sample cut. Repeat the procedure if necessary.

### OPERATION



**WARNING**  
To reduce the risk of injury, wear safety goggles or glasses with side shields. Unplug the tool before changing accessories or making adjustments.

#### Selecting a Blade

A Combination/Rip blade is supplied with the tool.

MILWAUKEE recommends using one of the blades listed in "Accessories". These blades will provide the best tool performance and the best cut. Always keep blades clean and sharp for the best performance. A dull or dirty blade can bind and pinch, resulting in kick back or a poor cut.

#### Changing Blades

1. Unplug the tool.
2. Remove the blade guard (see "Installing the Blade Guard").
3. To remove the bolt from the spindle, use the wrench provided with the tool to turn the bolt counterclockwise while holding in the spindle lock button.

4. Remove the outer flange, blade, and inner flange. Clean the spindle, flanges, bolt and blade to remove buildup of dust and debris.
5. Replace the inner flange.
6. Install the blade with the arrow pointing counterclockwise.
7. Replace the outer flange. Tighten the bolt clockwise using the wrench provided while holding in the spindle lock button.
8. Install the blade guard (see "Installing the Blade Guard").

**NOTE:** It may be necessary to readjust the rulers after changing or sharpening blades (see "Adjusting the Rulers").



**WARNING**  
To reduce the risk of injury, make sure the tool is OFF before plugging in the tool.

#### Starting and Stopping the Motor

1. To **start** the saw motor, lift the switch up. The switch will stay up until it is pushed down.
2. To **stop** the saw motor, push the switch down.



**WARNING**  
Do not cut a workpiece that has a width smaller than that of the saw carriage. Proper support for the workpiece must be maintained to insure safety. When the carriage moves over the workpiece, it would be impossible to safely support the workpiece for the cut. Use a tool better suited for these applications.

#### Cross-Cutting

A cross-cut is a vertical cut that must always be done from the top to the bottom of a workpiece.

MILWAUKEE recommends using the Hold Down Bar Kit for frequent cutting of workpieces thinner than 1/4" (see "Accessories").

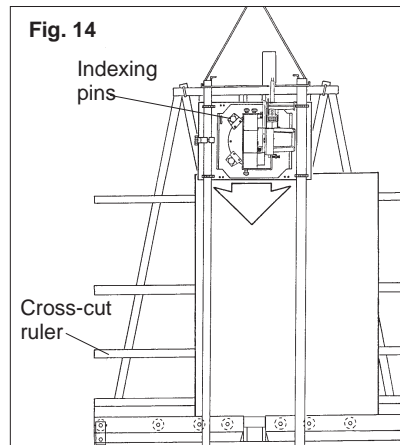
The workpiece must be supported by a minimum of two rollers. When using the Midway Fence Kit, material must extend at least 4" beyond the saw carriage on either side.

For easier cutting and best performance, MILWAUKEE recommends using an Extension Kit when cross-cutting workpieces that extend beyond the blade by 5' or more on one side. Do not cross-cut workpieces that exceed 8'.



**WARNING**  
To reduce the risk of injury, do not place hands on or under saw carriage or in the path of the saw blade.

Fig. 14



#### Making the Cut:

1. Rotate the saw motor to the cross-cutting position (Fig. 14). To rotate the motor, pull out the indexing pins and rotate the saw motor. Lock the indexing pins into the preset holes on the saw carriage. The pins are spring-loaded and should snap into place.
2. Loosen the carriage lock and allow the saw motor to raise to the top of the tool. The saw motor is attached to the counterbalance cable and should raise to the top of the guide tubes by itself. If it does not, see "Lubricating Guide Tubes" in the Maintenance section.

3. Plug in the tool.
4. Place the workpiece on the rollers. Do not drop the material; this may knock the rollers out of alignment or damage the rollers.

Slide the workpiece to the desired position using the cross-cut ruler as a measure.

5. Start the motor and allow it to reach full speed before beginning the cut.
6. When the motor has reached full speed, slowly pull the saw motor down through the workpiece, keeping your hand on the handle.
7. Once the cut is complete, turn the tool off and wait for the blade to come to a complete stop.
8. Raise the saw motor and allow the saw motor to return to the top of the guide tubes.
9. Tighten the carriage lock.

**NOTE:** A coasting blade can mar the edge of a freshly cut workpiece.



**WARNING**  
Do not cut a workpiece that has a width smaller than that of the saw carriage. Proper support for the workpiece must be maintained to insure safety. When the carriage moves over the workpiece, it would be impossible to safely support the workpiece for the cut. Use a tool better suited for these applications.



## Rip Cutting

A rip cut is a horizontal cut that can be done from the LEFT TO THE RIGHT or from the RIGHT TO THE LEFT, but the work piece must always be moved through the saw in the direction of the arrow on the saw motor.

MILWAUKEE recommends using the Hold Down Bar Kit for frequent cutting of workpieces thinner than 1/4" (see "Accessories").

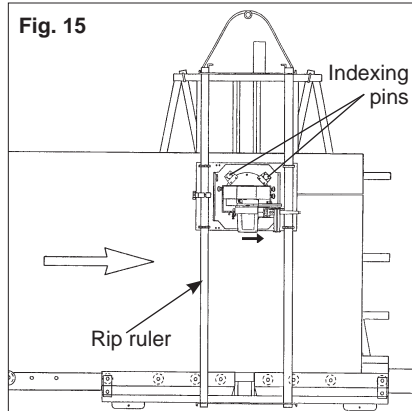
The minimum length recommended for rip cuts is 2-1/2' (work supported by four rollers). The same size applies if you use the Midway Fence Kit.

For easier cutting and best performance, MILWAUKEE recommends using the Extension Kit when rip-cutting workpieces longer than 6' (see "Accessories"). Do not rip-cut workpieces that exceed 8'.

### WARNING

To reduce the risk of injury, ripping must always be done by moving the workpiece through the saw in the direction of the arrow on the saw motor.

Fig. 15



1. Select ripping from the left or right, based on preference. Rotate the saw motor to the ripping position (Fig. 15). To rotate the motor, pull out the indexing pins and rotate the saw motor. Lock the indexing pins into the preset holes in the saw carriage. The pins are spring-loaded and should snap into place. Be sure to shield bystanders from the tool.

2. Select the saw height based on your workpiece, following the measure on the rip ruler.
3. Tighten the carriage lock securely.
4. Plug in the tool.
5. Start the motor and allow it to reach full speed before beginning the cut.
6. Place the workpiece on the rollers. Do not to drop the material; this may knock the rollers out of alignment or damage the rollers.

### WARNING

To reduce the risk of injury and damage to the tool, do not use push sticks. Push sticks or the workpiece can kick back, cause the blade to pinch, or become caught in the blade and be thrown from the tool.

7. When the motor has reached full speed, slowly move the workpiece through the saw in the direction of the feed arrow on the saw motor. Avoid placing your hands, clothing or body parts under the saw carriage. Do not look directly down the line of cut because dust and debris are generated during operation. Do not use push sticks.

### WARNING

To reduce the risk of injury, always shield bystanders from the tool. Never look down the line of cut because dust and debris are generated during operation.

8. After the cut is completed, turn the tool off and wait for the blade to come to a complete stop.
9. Pull the scrap material and the finished workpiece away from the tool.
10. Return the saw carriage to the uppermost position on the guide tubes.
11. Tighten the carriage lock.

NOTE: When done ripping, return the carriage to the cross-cut position.

## Making Cuts Less than 1"

When making cuts that are less than 1", the chatter guard (located inside the blade guard) must be on the workpiece and not on the cut-off piece. If the chatter guard is on the cut-off piece, it will jam on the workpiece and prevent the carriage from continuing through the cut. If the saw jams, turn the tool OFF and wait for the blade to stop. Then back the saw out of the cut.

## MAINTENANCE

### WARNING

To reduce the risk of injury, always unplug your tool before performing any maintenance. Never disassemble the tool or try to do any rewiring on the tool's electrical system. Contact a MILWAUKEE service facility for ALL repairs.

## Maintaining Tools

Keep your tool in good repair by adopting a regular maintenance program. Before use, examine the general condition of your tool. Inspect guards, switches, tool cord set and extension cord for damage. Check for loose screws, misalignment, binding of moving parts, improper mounting, broken parts and any other condition that may affect its safe operation. If abnormal noise or vibration occurs, turn the tool off immediately and have the problem corrected before further use. Do not use a damaged tool. Tag damaged tools "DO NOT USE" until repaired (see "Repairs").

Under normal conditions, relubrication is not necessary until the motor brushes need to be replaced. After six months to one year, depending on use, return your tool to the nearest MILWAUKEE service facility for the following:

- Lubrication
- Brush inspection and replacement
- Mechanical inspection and cleaning (gears, spindles, bearings, housing, etc.)
- Electrical inspection (switch, cord, armature, etc.)
- Testing to assure proper mechanical and electrical operation

## Lock-Off Feature

Unplug the tool before installing the padlock. There is a hole in the switch through which a padlock (not supplied with tool) will fit to lock the tool when it is not in use. Use a padlock with a 1-1/2" shackle, 5/16" diameter (such as the Master Lock 1KALJ).

## Lubricating Guide Tubes

The saw carriage should raise itself from the bottom to the top of the guide tubes. However, if the tubes become caked with dust or debris, the saw carriage may get stuck or it may not slide smoothly. Periodically clean the guide tubes with a damp cloth, following the directions under "Cleaning". Then, use a dry lubricant such as PTFE or spray silicone. Other lubricants will cause dust and debris to collect on the tubes, contaminating the bearings.

### WARNING

To reduce the risk of injury, electric shock and damage to the tool, never immerse your tool in liquid or allow a liquid to flow inside the tool.

## Cleaning

Clean dust and debris from vents. Keep the tool handles clean, dry and free of oil or grease. Use only mild soap and a damp cloth to clean your tool since certain cleaning agents and solvents are harmful to plastics and other insulated parts. Some of these include: gasoline, turpentine, lacquer thinner, paint thinner, chlorinated cleaning solvents, ammonia and household detergents containing ammonia. Never use flammable or combustible solvents around tools.

## Repairs

If your tool is damaged, return the entire tool to the nearest service center.

## ACCESSORIES



### WARNING

To reduce the risk of injury, always unplug the tool before attaching or removing accessories. Use only specifically recommended accessories. Others may be hazardous.

For a complete listing of accessories refer to your *MILWAUKEE* Electric Tool catalog or go on-line to [www.milwaukeetool.com](http://www.milwaukeetool.com). To obtain a catalog, contact your local distributor or a service center.

#### Hold Down Bar Kit (49-22-8100)

Holds thin, flexible material in place, providing chatter-free cutting. Spring arms have built-in nylon rollers to prevent material from being marred. Will accept material up to 3/4" thick.

#### Quick-Stop Gauging Kit (49-22-8102)

Allows you to quickly and accurately position a sliding aluminum stop block to cut different lengths of material.

#### Dust Collecting Kit (49-22-8105)

Self-contained kit collects dust and debris. Requires a vacuum. *MILWAUKEE* recommends using vacuum model numbers: 8911, 8912, 8925 and 8935. The attachment host supplied with the kit has an inner diameter of 1-1/2".

#### Wheel Kit (49-22-8106)

Contains two wheels to allow 8" Saw to become more portable.

#### Extension Kit (49-22-8108)

For easier cutting and best performance, *MILWAUKEE* recommends using the Extension Kit when: cross-cutting workpieces that extend beyond the blade by 5' or more on one side; and when rip-cutting workpieces longer than 6'.

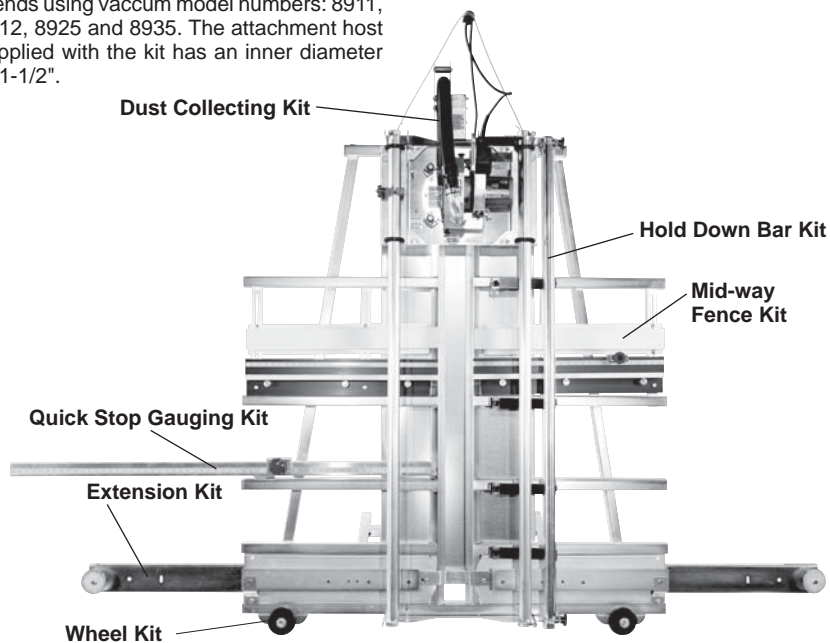
#### Mid-Way Fence Kit (49-22-8110)

Allows you to cut small panels waist high on the 8" Saw frame. Kit includes both right and left-hand sides, 30" rulers, a manual stop block, and quick-change wood fences.

#### Saw Blades

For best performance and the most accurate cut, *MILWAUKEE* recommends using the following blades in the chart.

| Cat. No.   | Description     | No. of Teeth | Kerf Thickness | Diameter |
|------------|-----------------|--------------|----------------|----------|
| 48-40-4148 | Framing/Ripping | 18           | .071"          | 8-1/4"   |
| 48-40-4150 | Rip/Crosscut    | 24           | .071"          | 8-1/4"   |
| 48-40-4152 | Trim/Finish     | 40           | .071"          | 8-1/4"   |
| 48-40-4154 | Rip/Crosscut    | 24           | .122"          | 8-1/4"   |
| 48-40-4156 | Trim/Finish     | 40           | .122"          | 8-1/4"   |
| 48-40-4158 | Trim/Finish     | 60           | .122"          | 8-1/4"   |



## FIVE YEAR TOOL LIMITED WARRANTY

Every *MILWAUKEE* electric power tool (including battery charger) is warranted to the original purchaser only to be free from defects in material and workmanship. Subject to certain exceptions, *MILWAUKEE* will repair or replace any part on a electric power tool which, after examination, is determined by *MILWAUKEE* to be defective in material or workmanship for a period of five (5) years\* after the date of purchase. Return the electric power tool and a copy of proof of purchase to a *MILWAUKEE* factory Service/Sales Support Branch location or *MILWAUKEE* Authorized Service Station, freight prepaid and insured, are requested for this warranty to be effective. This warranty does not apply to damage that *MILWAUKEE* determines to be from repairs made or attempted by anyone other than *MILWAUKEE* authorized personnel, misuse, alterations, abuse, normal wear and tear, lack of maintenance, or accidents.

\* The warranty period for Hoists (lever, hand chain, & electric chain hoists), all Ni-CD battery packs, Work Lights (cordless flashlights), Job Site Radios, and Trade Titan™ Industrial Work Carts is one (1) year from the date of purchase. \*The warranty period for Li-Ion battery packs that do not contain V™-technology – 4.0 volts through 18.0 volts - is two (2) years from the date of purchase.

\*There is a separate warranty for V™-technology Li-Ion Battery Packs V™18 volts and above that accompany V™-technology cordless power tools:

\*Every *MILWAUKEE* V™-technology Li-Ion Battery Pack 18 volts or above is covered by an initial 1000 Charges/2 Years free replacement warranty. This means that for the earlier of the first 1000 charges or two (2) years from the date of purchase/first charge, a replacement battery will be provided to the customer for any defective battery free of charge. Thereafter, customers will also receive an additional warranty on a pro rata basis up to the earlier of the first 2000 charges or five (5) Years from the date of purchase/first charge. This means that every customer gets an additional 1000 charges or three (3) years of pro rata warranty on the V™-technology Li-Ion Battery Pack 18 volts or above depending upon the amount of use. During this additional warranty period, the customer pays for only the useable service received over and above the first 1000 Charges/2 years, based on the date of first charge and number of charges found on the battery pack via Milwaukee's V™-technology Service Reader.

Warranty Registration is not necessary to obtain the applicable warranty on a *MILWAUKEE* product. However, proof of purchase in the form of a sales receipt or other information deemed sufficient by *MILWAUKEE*, is requested.

ACCEPTANCE OF THE EXCLUSIVE REPAIR AND REPLACEMENT REMEDIES DESCRIBED HEREIN IS A CONDITION OF THE CONTRACT FOR THE PURCHASE OF EVERY *MILWAUKEE* PRODUCT. IF YOU DO NOT AGREE TO THIS CONDITION, YOU SHOULD NOT PURCHASE THE PRODUCT. IN NO EVENT SHALL *MILWAUKEE* BE LIABLE FOR ANY INCIDENTAL, SPECIAL, CONSEQUENTIAL OR PUNITIVE DAMAGES, OR FOR ANY COSTS, ATTORNEY FEES, EXPENSES, LOSSES OR DELAYS ALLEGED TO BE AS A CONSEQUENCE OF ANY DAMAGE TO, FAILURE OF, OR DEFECT IN ANY PRODUCT INCLUDING, BUT NOT LIMITED TO, ANY CLAIMS FOR LOSS OF PROFITS. THIS WARRANTY IS EXCLUSIVE AND IN LIEU OF ALL OTHER WARRANTIES OR CONDITIONS, WRITTEN OR ORAL, EXPRESSED OR IMPLIED. WITHOUT LIMITING THE GENERALITY OF THE FOREGOING, *MILWAUKEE* DISCLAIMS ANY IMPLIED WARRANTY OF MERCHANTABILITY OR FITNESS FOR A PARTICULAR USE OR PURPOSE, AND ALL OTHER WARRANTIES.

This warranty applies to product sold in the U.S.A., Canada and Mexico only.

## RÈGLES GÉNÉRALES DE SÉCURITÉ POUR LES OUTILS ÉLECTRIQUE



### AVERTISSEMENT

#### VOUS DEVEZ LIRE ET COMPRENDRE TOUTES LES INSTRUCTIONS

Le non-respect, même partiel, des instructions ci-après entraîne un risque de choc électrique, d'incendie et/ou de blessures graves.

#### CONSERVER CES INSTRUCTIONS


### AIRE DE TRAVAIL

1. **Conservez votre lieu de travail propre et bien éclairé.** Les endroits sombres et encombrés sont propices aux accidents.
2. **Évitez les milieux dangereux.** Ne vous servez pas de votre outil électrique sous la pluie ou dans les endroits mouillés ou humides, les atmosphères propices aux explosions (émanations de gaz, poussière ou substances inflammables). Faites disparaître les matériaux qui risquent d'être enflammés par les étincelles.
3. **Éloignez les spectateurs.** Les enfants et les spectateurs devraient être tenus à distance du lieu de travail, afin de ne pas déranger l'utilisateur et être à l'abri de tout contact avec l'outil et le cordon de rallonge.
4. **Protégez ceux qui se trouvent sur les lieux** des éclats et des étincelles. Installez des barrières ou des écrans protecteurs si nécessaire.
5. **Faites de votre atelier un lieu sécuritaire pour les enfants** en installant des cadenas, un interrupteur principal et en retirant les clés de démarrage.

### SÉCURITÉ ÉLECTRIQUE

6. **Les outils mis à la terre doivent être branchés dans une prise de courant correctement installée et mise à la terre conformément à tous les codes et règlements pertinents. Ne modifiez jamais la fiche de quelque façon que ce soit, par exemple en enlevant la broche de mise à la terre. N'utilisez pas d'adaptateur de fiche. Si vous n'êtes pas certain que la prise de courant est correctement mise à la terre, adressez-vous à un électricien qualifié.** En cas de défaillance ou de défectuosité électrique de l'outil, une

mise à la terre offre un trajet de faible résistance à l'électricité qui autrement risquerait de traverser l'utilisateur.

7. **Les outils à double isolation sont équipés d'une fiche polarisée (une des lames est plus large que l'autre), qui ne peut se brancher que d'une seule façon dans une prise polarisée. Si la fiche n'entre pas parfaitement dans la prise, inversez sa position ; si elle n'entre toujours pas bien, demandez à un électricien qualifié d'installer une prise de courant polarisée. Ne modifiez pas la fiche de l'outil.** La double isolation  élimine le besoin d'un cordon d'alimentation à trois fils avec mise à la terre ainsi que d'une prise de courant mise à la terre.
8. **Protégez-vous des chocs électriques.** Évitez tout contact avec les surfaces mises à la terre tels les radiateurs, cuisinières et réfrigérateurs. Lorsque vous enfoncez l'outil à l'aveuglette au travers d'un matériau assurez-vous d'abord qu'il n'y pas de câbles électriques ou de tuyaux. Tenez l'outil par ses parties isolées non métalliques. Employez un coupe-circuit relié à la masse (GFCI) pour réduire les risques de choc.
9. **N'exposez pas l'outil aux intempéries et ne vous en servez pas dans les endroits humides.**
10. **Lorsque vous utilisez un outil électrique à l'extérieur, employez un prolongateur pour l'extérieur marqué « W-A » ou « W ».** Ces cordons sont faits pour être utilisés à l'extérieur et réduisent le risque de choc électrique.
11. **Ne maltraitez pas le cordon. Ne transportez pas l'outil par son cordon et ne débranchez pas la fiche en tirant sur le cordon. N'exposez pas le cordon à la chaleur, à des huiles, à des arêtes vives ou à des pièces en mouvement. remplacez immédiatement un cordon endommagé.** Un cordon endommagé augmente le risque de choc électrique.

### SÉCURITÉ DES PERSONNES

12. **Familiarisez-vous avec votre outil électrique.** Lisez attentivement ce manuel pour apprendre les applications, limitations et risques inhérent au maniement de ce genre d'outil.
13. **Restez alerte, concentrez-vous sur votre travail et faites preuve de jugement. N'utilisez pas un outil électrique si vous êtes fatigué ou sous l'influence de drogues, d'alcool ou de médicaments.** Un instant d'inattention suffit pour entraîner des blessures graves.
14. **Habilitez-vous correctement. Ne portez ni vêtements amples ni bijoux. Portez un casque protecteur pour contenir les longs cheveux et les empêcher de se prendre dans les pièces en mouvement.** Si vous travaillez à l'extérieur, portez des gants de caoutchouc et des chaussures à semelles antidérapantes. Tenez vos mains ou vos gants à l'écart des pièces en mouvement.
15. **Réduisez les risques de démarrage accidentel.** Assurez-vous que votre outil est à la position d'arrêt « OFF » avant de le brancher. N'utilisez pas un outil dont l'interrupteur ne fonctionne pas normalement. Ne transportez pas un outil branché en gardant les doigts sur la détente.
16. **Retirez les clés de réglage.** Prenez l'habitude de vérifier si les clés de réglage et autres outils sont retirés de l'outil avant de le mettre en marche.
17. **Ne dépassez pas les limites, contrôlez l'outil. Gardez les pieds bien en place et assurez votre équilibre. Tenez l'outil fermement.** Soyez très prudent si vous utilisez l'outil dans une échelle, sur un toit, un échafaud, etc.
18. **Employez de l'équipement de sécurité.** Toutes les personnes présentes dans l'aire de travail devraient porter des lunettes de protection ou à coques latérales conformes aux normes de sécurité en vigueur. Les lunettes ordinaires peuvent être pourvues de verres résistants, mais elles ne sont pas sécuritaires. Portez des protecteurs d'oreilles pour les tâches prolongées et un masque facial contre la poussière. Un casque rigide, un masque facial, des chaussures de sécurité, etc. devraient être utilisés lorsque la situation l'exige. Gardez un extincteur d'incendie à portée de la main.

19. **Maintenez les gardes en place et en bon état.**
20. **Ne vous appuyez jamais sur l'outil.** De graves blessures pourraient résulter du renversement de l'outil ou de son démarrage accidentel.
21. **Tenez les mains à l'écart des arêtes tranchantes et des pièces en mouvement.**

### UTILISATION ET ENTRETIEN DES OUTILS

22. **Assujettissez l'ouvrage.** Employez une fixation, pince-étoupe ou autre dispositif approprié pour maintenir solidement l'ouvrage et libérer vos deux mains pour le maniement de l'outil.
23. **Ne forcez pas l'outil.** Votre outil fournira un meilleur rendement si vous l'employez comme il doit l'être. Un usage excessif, en plus de fatiguer l'utilisateur, augmentera l'usure de l'outil et rendra son maniement plus difficile.
24. **Employez l'outil approprié.** N'utilisez pas un outil ou un accessoire non approprié à la tâche. Par exemple, on ne doit pas employer une scie circulaire pour tailler un arbre ou scier des bûches. N'altérez pas l'outil.
25. **Débranchez l'outil** lorsque vous ne vous en servez pas ou avant d'en changer les accessoires ou d'en effectuer l'entretien.
26. **Rangez les outils que vous n'utilisez pas** au sec dans un endroit sûr, hors de la portée des enfants.
27. **Ne laissez jamais l'outil en marche sans surveillance.** Avant de vous en éloigner, coupez le courant et attendez qu'il soit complètement arrêté.
28. **Décelez les pièces défectueuses.** Avant de vous servir de l'outil, inspectez les gardes et les autres pièces. Vérifiez l'alignement et le jeu des pièces mobiles, les vices de montage, bris de pièces et toute autre condition pouvant nuire au bon fonctionnement de l'outil. Si un bruit ou une vibration insolite survient, arrêtez immédiatement l'outil et faites-le vérifier avant de vous en servir de nouveau. N'utilisez pas un outil défectueux. Fixez-y une étiquette marquée « HORS D'USAGE » jusqu'à ce qu'il soit réparé. Si une garde ou une autre pièce est défectueuse, elle devrait être réparée ou remplacée dans un centre de service MILWAUKEE accrédité. Insistez pour obtenir des pièces de rechange identiques.

29. **Employez les accessoires appropriés.** Consultez ce manuel pour connaître quels accessoires utiliser. L'emploi d'accessoires autres que ceux qui sont recommandés peut comporter des risques. Assurez-vous que les accessoires sont correctement installés et entretenus. Ne dérangez pas un garde ou autre dispositif de sécurité lorsque vous installez un accessoire.
30. **Prenez soin de l'outil.** Gardez les poignées propres, sèches et exemptes d'huile ou de graisse. Maintenez les tranchants propres et vifs. Suivez les instructions de graissage et d'installation des accessoires. Inspectez périodiquement le cordon de l'outil et le cordon de rallonge. Faites réparer ou remplacer les pièces défectueuses à un centre de service *MILWAUKEE* accrédité.

## RÉPARATION

31. **La réparation des outils électriques doit être confiée à un réparateur qualifié.** L'entretien ou la réparation d'un outil électrique par un amateur peut avoir des conséquences graves.
32. **Pour la réparation d'un outil, n'employez que des pièces de rechange d'origine. Suivez les directives données à la section « réparation » de ce manuel.** L'emploi de pièces non autorisées ou le non-respect des instructions d'entretien peut créer un risque de choc électrique ou de blessures.

## RÈGLES DE SÉCURITÉ PARTICULIÈRE

- Entretenez les étiquettes et marques di fabricant.** Les indications qu'elles contiennent sont précieuses. Si elles deviennent illisibles ou se détachent, faites-les remplacer gratuitement à un centre de service *MILWAUKEE* accrédité.
- AVERTISSEMENT!** La poussière de gage par perçage, sclage, perçage et autres travaux de construction contient des substances chimiques reconnues comme pouvant causer le cancer, des malformations congénitales ou d'autres troubles de reproduction. Voici quelques exemples de telles substances :
  - Le plomb contenu dans la peinture au plomb.

- Le silice cristallin contenu dans la brique, le béton et divers produits de maçonnerie.
- L'arsenic et le chrome servant au traitement chimique du bois.

Les risques associés à l'exposition à ces substances varient, dépendant de la fréquence des travaux. Afin de minimiser l'exposition à ces substances chimiques, assurez-vous de travailler dans un endroit bien aéré et d'utiliser de l'équipement de sécurité tel un masque antipoussière spécifiquement conçu pour la filtration de particules microscopiques.

- Maniez le contrepoids avec prudence.** Le câble est sous tension. Assemblez toujours le câble au support de la scie avant d'enlever le serre-câble. Ne tirez pas sur le câble avec les mains ou n'essayez pas de démonter ou de réparer le contrepoids.
- Ne contournez pas les protections ou n'utilisez pas l'outil sans ses protections.**
- Ne pas utiliser de poussoirs.** Les poussoirs ou la pièce peuvent reculer brusquement, coincer la lame ou se coincer dans la lame et être projetés de l'outil.
- Pratiquez toujours un coupe transversale en commençant par le haut et en descendant.** Levez le support de scie à la position la plus élevée sur les tubes de guidage et verrouillez la position avec le verrou du support lorsque l'outil n'est pas utilisé. Voir « Coupe transversale ».
- Pratiquez toujours une coupe longitudinale en déplaçant la pièce à travers la scie, dans la direction de la flèche marquée sur le moteur de la scie.** Levez le support de scie à la position la plus élevée sur les tubes de guidage et verrouillez la position avec le verrou du support lorsque l'outil n'est pas utilisé. Voir « Coupe longitudinale ».
- Ne coupez jamais des pièces plus étroites que la largeur du support de la scie.** Pour des fins de sécurité, la pièce doit être maintenue correctement. Si le support se déplace au-dessus de la pièce, il est impossible de maintenir la pièce de façon sécuritaire pour la coupe. Utilisez un outil mieux adapté à ce type d'application.

- Attendez toujours que la lame s'arrête complètement avant de changer les positions.** Débranchez l'outil avant de le transporter ou de le déplacer.
- Ne placez pas les mains sur ou en dessous du support de scie ou dans la trajectoire de la lame.** N'essayez pas de récupérer une pièce coupée pendant que la lame tourne.
- Rendez votre atelier à l'épreuve des enfants en utilisant des cadenas, des interrupteurs généraux ou en retirant les clés de démarrage.** Voir « Fonctions de déverrouillage ».
- Remettez les protections en place après chaque changement de lame.** Maintenez les protections en état de marche.
- Direction de l'avance.** Engagez la pièce uniquement dans la direction opposée de la rotation de la lame ou du couteau.
- Causes du retour d'outil et prévention par l'utilisateur :**

Le « retour d'outil » est une brusque réaction au pincement, au coincement ou au désalignement de la lame de scie, qui amène la scie à sauter hors du matériau vers l'utilisateur.

Lorsque la lame est pincée ou coincée par le rétrécissement du trait de scie, la lame se bloque et la réaction du moteur projette l'outil avec force vers l'utilisateur.

Si la lame se trouve désalignée dans le trait de scie, ses dents arrière peuvent mordre dans le dessus du matériau, ce qui amène la lame à sortir brutalement du trait de scie en direction de l'utilisateur.

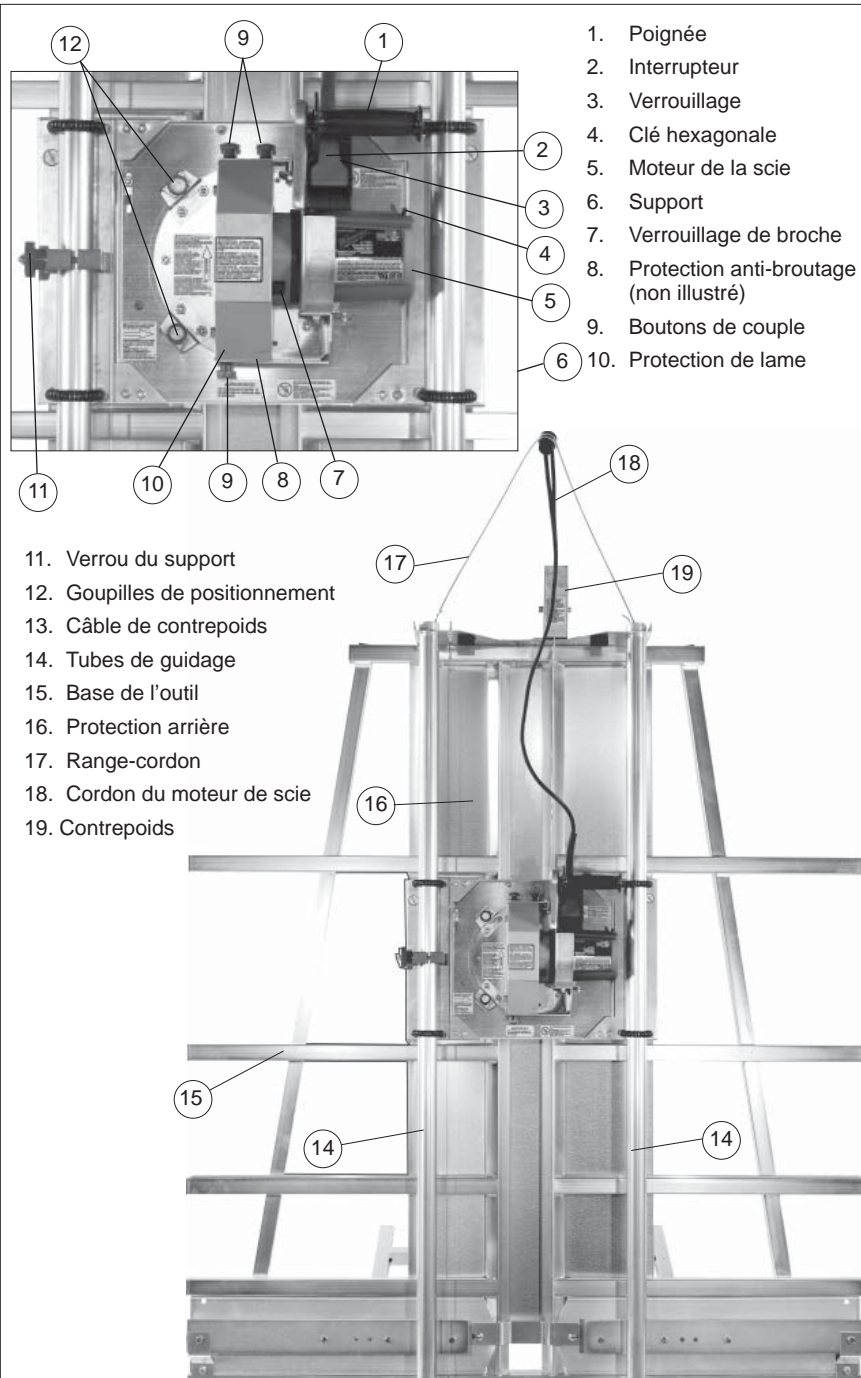
*Le RECUL résulte d'une utilisation incorrecte de l'outil ou de mauvaises conditions d'utilisation. On peut le prévenir en prenant les précautions adéquates ci-après :*

- Gardez la lame propre et bien affûtée.** Les lames mal affûtées ou mal montées produisent une saignée étroite causant ainsi une friction excessive, un coincement de la lame et un RECUL. Toute lame avec une petite voie, même bien affûtée, est plus sujette à un recul. Une lame émoussée encourage l'opérateur à forcer la scie, réduisant ainsi son contrôle et favorisant le coinçage de la lame. Une friction excessive peut gauchir ou

coincer la lame. N'utilisez que des lames recommandées pour votre outil. N'utilisez pas des lames dont la taille ou les trous de montage sont incorrects. N'utilisez jamais des rondelles ni des boulons de lame défectueux ou incorrects. Assurez-vous que le boulon de la lame est bien serré. Sélectionnez la lame qui convient à l'application. Les spécifications de vitesse de lame doivent être au moins aussi élevées que le nombre de tr/min indiqué sur la plaque signalétique.

- Ne forcez pas l'outil.** Laissez la scie faire le travail. Vous contrôlerez mieux la scie et travaillerez mieux si vous l'utilisez de la manière pour laquelle elle a été conçue.
- Restez vigilant.** Concentrez-vous sur votre travail et faites preuve de jugement. Ne vous laissez pas distraire. N'utilisez pas l'outil si vous êtes fatigué ou sous l'influence de drogues ou d'alcool. Maintenez fermement l'outil ou la pièce et gardez le contrôle en tout temps. Placez-vous, et vos collègues de travail, hors du trajet de recul. L'utilisateur risque de se laisser aller à des mouvements irréflectifs ou à laisser l'outil reculer par suite de coupes répétitives. Une légère « extension » peut suffire afin d'éviter un problème.
- Lorsque la lame se coince ou que vous interrompez une coupe pour une raison quelconque, placez le commutateur en position d'arrêt et maintenez la scie immobile dans le matériau jusqu'à l'arrêt complet de la lame. N'essayez jamais de retirer la scie de la pièce ou de tirer la scie en arrière alors que la lame tourne, pour éviter tout risque de RECUL.** Recherchez la cause du coincement de la lame et prenez des mesures correctrices pour l'éliminer.
- Pour déposer la lame après un arrêt en mi-coupe,** laissez la lame s'arrêter et reculez la scie (coupe transversale) ou le panneau (coupe longitudinale).
- Lorsque vous remettez la scie en marche dans la pièce, centrez sa lame dans la saignée et vérifiez que les dents ne sont pas enfoncées dans le matériau.** Si la lame est coincée, elle risque de remonter ou de RECULER de la pièce lorsque la scie est remise en marche.
- Évitez de couper des clous.** Vérifiez s'il y a des clous et retirez-les avant la coupe.

## DESCRIPTION FONCTIONNELLE



## MISE A LA TERRE



### AVERTISSEMENT

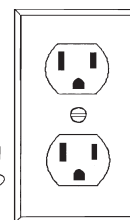
Si le fil de mise à la terre est incorrectement raccordé, il peut en résulter des risques de choc électrique. Si vous n'êtes pas certain que la prise dont vous vous servez est correctement mise à la terre, faites-la vérifier par un électricien. N'altérez pas la fiche du cordon de l'outil. N'enlevez pas de la fiche, la dent qui sert à la mise à la terre. N'employez pas l'outil si le cordon ou la fiche sont en mauvais état. Si tel est le cas, faites-les réparer dans un centre-service MILWAUKEE accrédité avant de vous en servir. Si la fiche du cordon ne s'adapte pas à la prise, faites remplacer la prise par un électricien.

### Outils mis à la terre : Outils pourvus d'une fiche de cordon à trois dents

Les outils marqués « Mise à la terre requise » sont pourvus d'un cordon à trois fils dont la fiche a trois dents. La fiche du cordon doit être branchée sur une prise correctement mise à la terre (voir Figure A). De cette façon, si une défectuosité dans le circuit électrique de l'outil survient, le relais à la terre fournira un conducteur à faible résistance pour décharger le courant et protéger l'utilisateur contre les risques de choc électrique.



Fig. A



La dent de mise à la terre de la fiche est reliée au système de mise à la terre de l'outil via le fil vert du cordon. Le fil vert du cordon doit être le seul fil raccordé à un bout au système de mise à la terre de l'outil et son autre extrémité ne doit jamais être raccordée à une borne sous tension électrique.

Votre outil doit être branché sur une prise appropriée, correctement installée et mise à la terre conformément aux codes et ordonnances en vigueur. La fiche du cordon et la prise de courant doivent être semblables à celles de la Figure A.

### Outils à double isolation : Outils pourvus d'une fiche de cordon à deux dents

Les outils marqués « Double Isolation » n'ont pas besoin d'être raccordés à la terre. Ils sont pourvus d'une double isolation conforme aux exigences de l'OSHA et satisfont aux normes de l'Underwriters Laboratories, Inc., de l'Association canadienne de normalisation (ACNOR) et du « National Electrical Code » (code national de l'électricité). Les outils à double isolation peuvent être branchés sur n'importe laquelle des prises à 120 volt illustrées ci-contre Figure B et C.

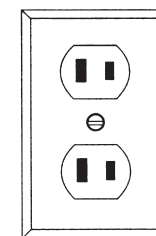


Fig. B

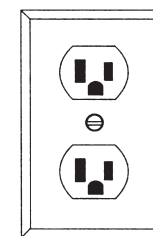


Fig. C

## Spécifications

| No de cat.             | Volts ca | Ampères | Vitesse | Diamètre de lame | Arbre | Capacité * |          |
|------------------------|----------|---------|---------|------------------|-------|------------|----------|
|                        |          |         |         |                  |       | Épaisseur  | Hauteur  |
| 6480-20                | 120      | 15      | 5 800   | 210 mm           | 16 mm | 45 mm      | 1 275 mm |
| 6486-20 (Moteur seul.) | 120      | 15      | 5 800   | 210 mm           | 16 mm | --         | --       |
| 6485-68 (Moteur seul.) | 220-240  | 7,5     | 5 800   | 205 mm           | 16 mm | --         | --       |
| 6486-68 (Moteur seul.) | 220-240  | 7,5     | 5 800   | 210 mm           | 16 mm | --         | --       |

\* Pour en connaître plus sur les contraintes supplémentaires, voir les sections sur la « Coupe longitudinale » et sur la « Coupe transversale »

## CORDONS DE RALLONGE

Si l'emploi d'un cordon de rallonge est nécessaire, un cordon à trois fils doit être employé pour les outils mis à la terre. Pour les outils à double isolation, on peut employer indifféremment un cordon de rallonge à deux ou trois fils. Plus la longueur du cordon entre l'outil et la prise de courant est grande, plus le calibre du cordon doit être élevé. L'utilisation d'un cordon de rallonge incorrectement calibré entraîne une chute de voltage résultant en une perte de puissance qui risque de détériorer l'outil. Reportez-vous au tableau ci-contre pour déterminer le calibre minimum du cordon.

Moins le calibre du fil est élevé, plus sa conductivité est bonne. Par exemple, un cordon de calibre 14 a une meilleure conductivité qu'un cordon de calibre 16. Lorsque vous utilisez plus d'une rallonge pour couvrir la distance, assurez-vous que chaque cordon possède le calibre minimum requis. Si vous utilisez un seul cordon pour brancher plusieurs outils, additionnez le chiffre d'intensité (ampères) inscrit sur la fiche signalétique de chaque outil pour obtenir le calibre minimal requis pour le cordon.

### Directives pour l'emploi des cordons de rallonge

- Si vous utilisez une rallonge à l'extérieur, assurez-vous qu'elle est marquée des sigles « W-A » (« W » au Canada) indiquant qu'elle est adéquate pour usage extérieur.
- Assurez-vous que le cordon de rallonge est correctement câblé et en bonne condition. Remplacez tout cordon de rallonge détérioré ou faites-le remettre en état par une personne compétente avant de vous en servir.
- Tenez votre cordon de rallonge à l'écart des objets rattachés, des sources de grande chaleur et des endroits humides ou mouillés.







### Calibres minimaux recommandés pour les cordons de rallonge\*

| Fiche signalétique<br>Ampères | Longueur du cordon de<br>rallonge (m) |      |      |      |      |      |
|-------------------------------|---------------------------------------|------|------|------|------|------|
|                               | 7,6                                   | 15,2 | 22,8 | 30,4 | 45,7 | 60,9 |
| 0 - 5,0                       | 16                                    | 16   | 16   | 14   | 12   | 12   |
| 5,1 - 8,0                     | 16                                    | 16   | 14   | 12   | 10   | --   |
| 8,1 - 12,0                    | 14                                    | 14   | 12   | 10   | --   | --   |
| 12,1 - 15,0                   | 12                                    | 12   | 10   | 10   | --   | --   |
| 15,1 - 20,0                   | 10                                    | 10   | 10   | --   | --   | --   |

\* Basé sur une chute de voltage limite de 5 volts à 150% de l'intensité moyenne de courant.

## LISEZ ATTENTIVEMENT CES INSTRUCTIONS ET CONSERVEZ-LES POUR LES CONSULTER AU BESOIN.

### Pictographie

|   |  |   |   |
|---|--|---|---|
|  | Double isolation                               | $n_{0xxxx}/min.$  | Tours-minute à vide (RPM)   |
|  | Underwriters Laboratories, Inc.                | <b>A</b>  | Ampères   |
|  | Underwriters Laboratories, Inc. Pièce Reconnue |  | Ne placez pas les mains sur ou en dessous du support de scie ou dans la trajectoire de la lame. |
|  | Courant alternatif en volts                    |  | N'exposez pas à la pluie ou n'utilisez pas dans des endroits humides.                           |

## MONTAGE DE L'OUTIL



### AVERTISSEMENT

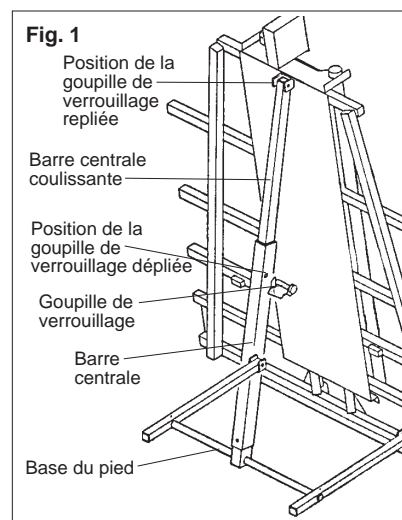
**Pour réduire les risques de blessures, toujours débrancher l'outil avant d'y effectuer des réglages, d'y attacher ou d'en enlever les accessoires. Utiliser uniquement des accessoires spécifiquement recommandés pour cet outil. Tout autre type d'accessoire pourrait être dangereux.**

### Ordre de montage

Pour éviter les blessures ou des dommages à l'outil, suivez l'ordre des sections de la rubrique « Montage de l'outil ». Montez l'outil dans l'ordre suivant :

1. Montage du pied
2. Installation du contrepoids
3. Montage du moteur de la scie
4. Montage des lames
5. Réglage des règles
6. Installation de la protection de lame
7. Installation du range-cordon

### Montage du pied



Au moins deux personnes doivent déballe et monter le pied. Une personne doit tenir le pied en position verticale tandis que l'autre déballe et prépare le pied pliant afin que l'outil puisse se supporter.

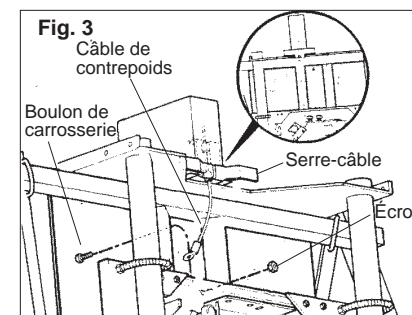
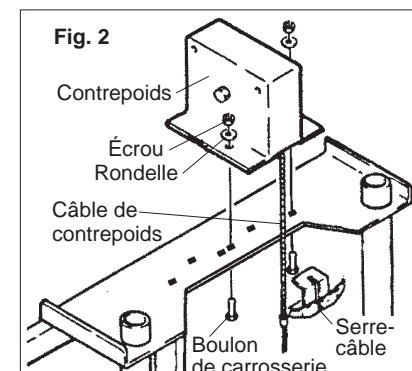
1. Tandis que l'autre personne tient le pied en position verticale, tenez vous à l'arrière de l'outil. Retirez d'une main la goupille de verrouillage de sa position repliée pendant que l'autre main tient le pied pour qu'il ne se déplie pas sur vos pieds.
2. Dépliez le pied lentement jusqu'à ce que le trou de la barre centrale coulissante soit aligné avec le trou de la barre centrale.
3. Insérez la goupille de verrouillage dans les trous et verrouillez de façon sécuritaire.



### AVERTISSEMENT

**Pour réduire les risques de blessures ou de dommages aux composants, ne pas tenter de démonter ou de réparer le contrepoids. Ne pas tirer sur le câble du contrepoids. Le câble est soumis à une grande force de ressort. Assembler correctement l'appareil avant d'enlever le serre-câble.**

### Montage du contrepoids



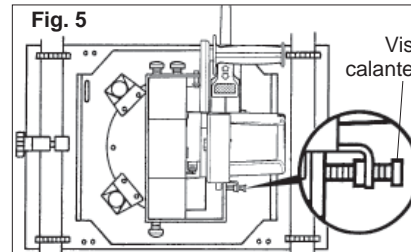
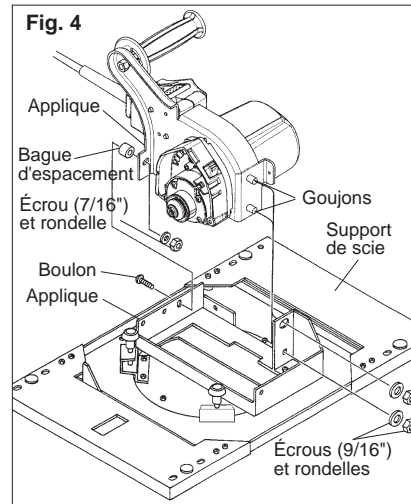
1. Déposez les deux (2) écrous de 1/4" x 20, les deux (2) rondelles et les deux (2) boulons de carrosserie de 1/4"-20 x 5/8" du contrepoids. Laissez en place l'écrou et le boulon du câble de contrepoids.
2. Retirez l'extrémité du câble de l'intérieur du contrepoids. Le contrepoids doit être décentré vers la **droite** (orienté vers le devant de la scie): des trous sont préforés sur le dessus du cadre de l'outil.
3. Fixez solidement le contrepoids à l'outil à l'aide de deux (2) boulons de carrosserie, deux (2) rondelles et deux (2) écrous.

**NB :** Installez les boulons de carrosserie du bas vers le haut. Serrez solidement les écrous.

4. Maintenez le support de scie de façon sécuritaire en desserrant le verrou du support.
5. Levez le support de scie jusqu'à ce que le trou ovale du support soit aligné avec le trou du câble du contrepoids, en vous assurant que le câble est bien en arrière du support de scie.
6. Resserrez le verrou du support.
7. Enlevez l'écrou du boulon de carrosserie et insérez le boulon par le trou dans le support de scie et dans l'oeillet du câble de contrepoids. Filetez l'écrou sur le boulon et serrez solidement.
8. Pliez manuellement les languettes du serre-câble vers le bas.
9. Desserrez le verrou du support et abaissez le support jusqu'à ce que le serre-câble soit complètement découvert.
10. Resserrez le verrou du support.

11. Enlevez le serre-câble du câble du contrepoids et conservez-le pour un usage ultérieur (par ex. si vous devez enlever le contrepoids, vous devrez utiliser le serre-câble pour supporter la tension du contrepoids).

## Montage du moteur de scie



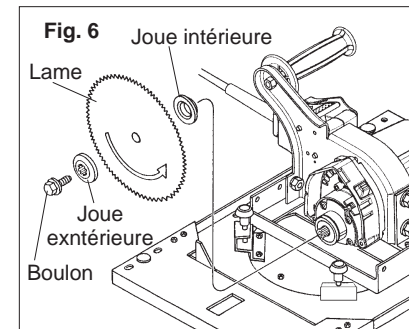
Le moteur est expédié avec trois rondelles (3), trois écrous (3), une bague d'espacement (1) et un boulon (1). Déposez ces articles pour monter la scie.

Déposez ces articles pour monter la scie.

1. Desserrez le verrou du support et abaissez le support à scie pour obtenir une hauteur de travail confortable.
2. Resserrez solidement le verrou du support.
3. Montez le moteur sur le support de scie en insérant les goujons sur le moteur, à travers les trous du support de scie (Fig. 4).
4. Installez les rondelles et les écrous. Serrez seulement à la main.
5. Alignez le trou du support qui dépasse de la poignée de la scie avec le trou du support de la scie.
6. Placez la bague d'espacement entre l'applique sur le support et l'applique de la poignée de scie.

7. Insérez le boulon par l'applique de la poignée de scie, à travers la bague d'espacement et à travers le trou de l'applique sur le support.
8. Filetez un écrou dans le boulon. Serrez seulement à la main.
9. Assurez-vous que la plaque sur le moteur de la scie est à égalité avec la vis calante pour que la scie soit placée au bon angle (Fig. 5). Cette vis est réglée en usine et ne requiert aucun réglage.
10. Serrez **D'ABORD** les deux **ÉCROUS SUR LES GOUJONS** puis serrez **ENSUITE L'ÉCROU SUR LE BOULON**.

## Installation des lames

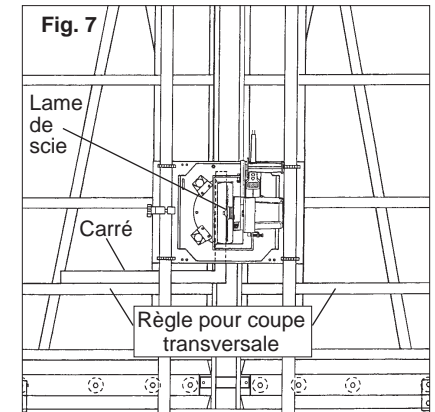


### AVERTISSEMENT

**Pour réduire les risques de blessures, ne pas utiliser la scie sans que les protections ne soient en place (voir « Installation de la protection de lame »).**

1. Débranchez l'outil.
2. Tout en maintenant le bouton enfoncé, utilisez la clé fournie avec l'outil pour tourner le boulon sur le moteur de la scie dans le sens horaire. Déposez le boulon.
3. Déposez la joue extérieure, mais laissez la joue intérieure sur la broche.
4. Montez la lame avec la flèche pointant dans le sens horaire.
5. Remettez en place la joue extérieure.
6. Serrez le boulon dans le sens horaire tout en maintenant le bouton de verrouillage de la broche.
7. Ajustez les règles (voir « Réglage des règles ») et installez la protection de lame (voir « Installation de la protection de lame »).

## Réglage des règles



L'outil est équipé d'une règle pour coupe longitudinale et deux règles pour coupe transversale (une de chaque côté de l'outil). La règle pour coupe longitudinale est réglée à l'usine, mais les deux règles pour coupe transversale doivent être réglées. Installez la lame avant de régler les règles pour coupe transversale (voir « Montage des lames »).

1. Débranchez l'outil.
2. Desserrez le verrou du support et abaissez le support.
3. Utilisez une équerre d'au moins 360 mm (14") pour aligner la règle pour coupe transversale.
4. Alignez un rebord de l'équerre avec les extrémités de la lame de scie et l'autre rebord de l'équerre avec la règle.
5. Faites glisser la règle pour que sa mesure corresponde à celle de l'équerre. Un aimant permet de maintenir la règle, mais vous pouvez attacher la règle au cadre avec du ruban adhésif pour assurer son maintien.
6. Reprenez les étapes ci-dessus pour régler la règle pour coupe transversale sur l'autre côté de l'outil.

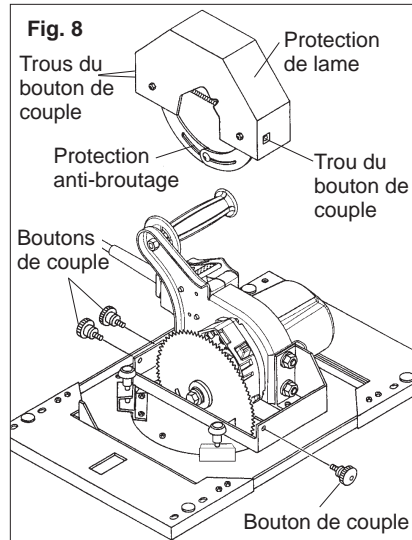
**NB :** Un fois l'outil complètement assemblé, coupez un échantillon pour vérifier que la règle est ajustée correctement.



## AVERTISSEMENT

Pour réduire les risques de blessures, ne pas utiliser la scie sans que les protections ne soient en place.

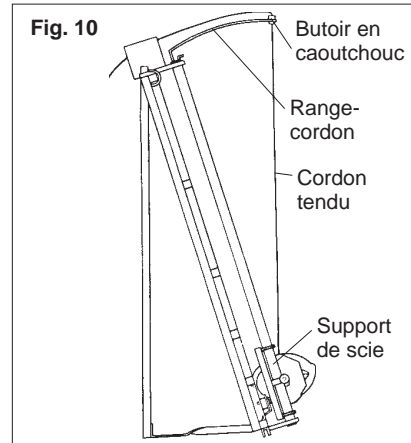
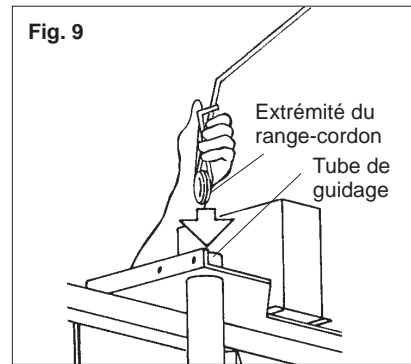
### Installation de la protection de lame



Installez toujours la protection de lame avant d'utiliser la scie. La protection est expédiée avec la protection anti-broutage enfoncée en haut, à l'intérieur de la protection de lame, et avec trois boutons de couple installés. Accédez à la partie supérieure, dans la protection de lame, et tirez la protection anti-broutage vers le bas. Enlevez les boutons avant d'installer la protection. Laissez les rondelles de caoutchouc sur les boutons de couple afin d'éviter leur glissement.

1. Débranchez l'outil.
2. Fixez la protection en alignant les trous de bouton de couple sur la protection de lame avec le support de scie (Fig. 8).
3. Installez les trois boutons de couple.
4. Ramenez le support sur le dessus des tubes de guidage et serrez le verrou du support.
5. Reprenez les étapes à l'inverse pour enlever la protection de lame.

### Montage du range-cordon



Le range-cordon garde le cordon loin de la lame et de la pièce à travailler.

1. Pincez ensemble les extrémités du range-cordon tandis que vous les faites lentement glisser dans les tubes de guidage (Fig. 9). Ce sera un ajustement serré. Fixez solidement les extrémités.
2. Enlevez la butée en caoutchouc de l'anneau du range-cordon (Fig. 10).
3. Déroulez le cordon et faites passer l'extrémité avec la fiche par l'anneau.
4. Desserrez le verrou du support et abaissez le support de scie jusqu'au bas des tubes de guidage. Resserrez le verrou du support.
5. Tirez le range-cordon jusqu'à ce qu'il soit parallèle au plancher. Tirez sur le cordon pour le tendre.
6. Ouvrez le butoir en caoutchouc et tirez-le par dessus le cordon pour que la pointe du cône soit dirigée vers le bas.

7. De au-dessus du range-cordon, poussez le butoir en caoutchouc dans l'anneau du range-cordon avec la petite extrémité vers le bas. Si la pointe du cône est sur le dessus, le butoir ne pourra maintenir le cordon en place.
8. Desserrez le verrou du support et laissez le support de scie revenir au-dessus des tubes de guidage. Resserrez le verrou du support.

**REMARQUE:** Réglez au besoin la tension du cordon.

9. Passer le fil au-dessus de la scie à panneau pour éviter d'encombrer la scie.

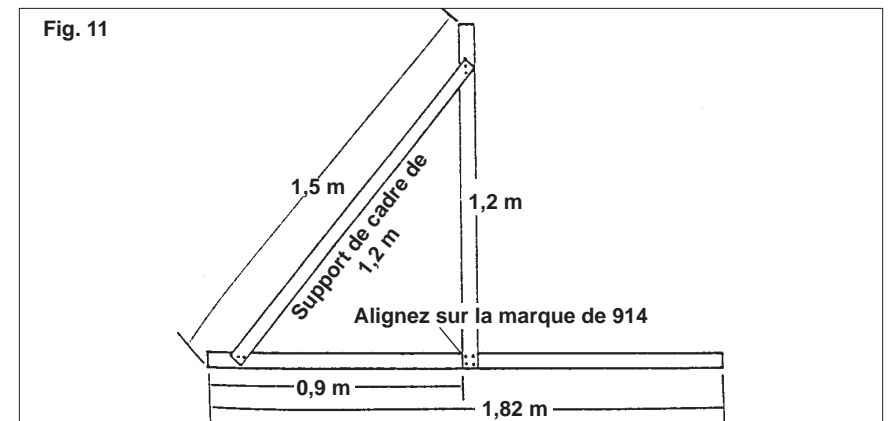
Vous êtes maintenant prêt à utiliser la scie à panneau. Consultez la section « Utilisation » pour en connaître l'usage approprié.

### Alignement de la scie à panneau

La scie à panneau est alignée à l'usine à une tolérance de  $\pm 0,8$  mm ( $\pm 1/32$ " ). Un alignement sur le terrain n'est requis que si l'appareil est malmené ou mal utilisé, ou si le moteur ou la roue doivent être remplacés.

Construction d'un outil d'alignement sur le terrain (Fig. 11) :

Pour obtenir une précision maximale, fabriquez une équerre de vérification (Fig. 11) pour vérifier l'intégralité du mouvement de la scie. Construisez l'équerre avec une règle en métal de 1,82 m (6') et deux s métal de 1,2 m (4'). Utilisez des mesures de 0,9 m (3'), 1,2 m (4') et 1,5 m (5') pour vous assurer de la précision. Percez des trous et fixez les règles avec des rivets de sûreté ou des petits écrous et boulons. Utilisez la règle de 1,82 m (6') pour vérifier la précision des rouleaux et la règle de 1,2 m (4') pour vérifier la précision des tubes de guidage. L'outil sert également d'équerre géante pour les tracés.



L'alignement s'effectue en quatre (4) étapes qui doivent être exécutées dans la séquence suivante :

### Étape 1 – Réglage des rouleaux

1. Vérifiez de l'alignement des rouleaux et enlevez les extensions (le cas échéant).
2. Repliez le support et allongez l'outil à plat pour faciliter l'accès aux écrous à rouleau. Vous pouvez placer, avec précaution, l'outil sur la table avec les tubes de guidage pointant vers le haut.
3. Les rouleaux les plus à l'extérieur sont stationnaires, ajustez tous les autres par rapport à ces deux rouleaux. Posez le rebord droit de l'outil d'alignement sur le terrain en travers des rouleaux pour vérifier l'alignement; tous les rouleaux doivent entrer en contact avec le rebord.
4. Si un rouleau est plus « haut » ou plus « bas » que le rebord droit, ajoutez un rebord droit d'au moins 1,5 m (5') au dessus des rouleaux pour qu'il soit à plat sur le cadre et contre les rouleaux les plus éloignés, en plaçant les pinces au-dessus du rouleau le plus éloigné.
5. Une fois le rebord est fixé solidement, faites tourner chaque rouleau pour vous assurer qu'aucun ne bloque ou ne soit trop délogé par rapport au rebord droit. Si un rouleau est trop serré ou trop desserré par rapport au rebord droit, desserrez l'écrou à rouleau. Les écrous à rouleau sont serrés et exigent une barre de desserrage d'au moins 460 mm (18") pour les desserrer.
6. Les rouleaux sont montés sur un moyeu excentrique. Si vous tournez un rouleau lorsque l'écrou à rouleau est desserré, vous pouvez changer la position du



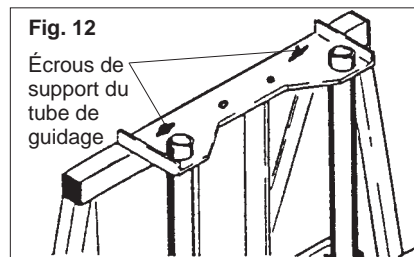
rouleau. Vous pourriez avoir à lever l'avant de la barre du support à rouleau pour faire tourner le moyeu excentrique. Faites tourner le rouleau jusqu'à ce qu'il entre en contact avec le rebord droit en vous assurant de ne pas plier ou courber le rebord droit lors du repositionnement de la roue. Serrez l'écrou à rouleau en veillant à ne pas changer la position du rouleau. Répétez cette opération pour les autres rouleaux, le cas échéant.

7. Remettez l'outil en position verticale.

### Étape 2 – Réglage des tubes de guidage

Si la scie ne coupe pas à 90°, les tubes de guidage ne sont peut-être pas perpendiculaires aux rouleaux. Débranchez le cordon d'alimentation de la scie avant de vérifier l'alignement ou d'effectuer des réglages. Vérifiez l'alignement des autres rouleaux avant de régler les tubes de guidage (voir « Réglage des rouleaux »).

1. Pour vérifier l'alignement du tube de guidage, enlevez la protection supérieure pour exposer la lame. Marquez une dent pour l'utiliser comme référence. Si vous utilisez une lame en acier pour haute vitesse, marquez une dent qui pointe vers le rebord de l'outil d'alignement sur le terrain.
2. Fixer l'outil d'alignement sur le terrain à l'assemblage de rouleaux et tirez le support de scie vers le bas pour que la marque de repère touche le rebord vertical de l'outil d'alignement. Continuez à tirer le support de scie vers le bas. Si la lame n'entre pas en contact avec l'équerre, ou si la lame se coince dans l'équerre, les tubes de guidage ne sont pas alignés.
3. Pour aligner les tubes de guidage, déterminez la direction dans laquelle le dessus du guide doit se déplacer. Si la lame entre en contact avec l'équerre, le guide supérieur va vers l'équerre. Si la lame n'entre pas en contact avec l'équerre, le guide supérieur s'éloigne de l'équerre.



4. Desserrez les écrous de support du tube de guidage (Fig. 12), mais n'enlevez pas le support du tube.

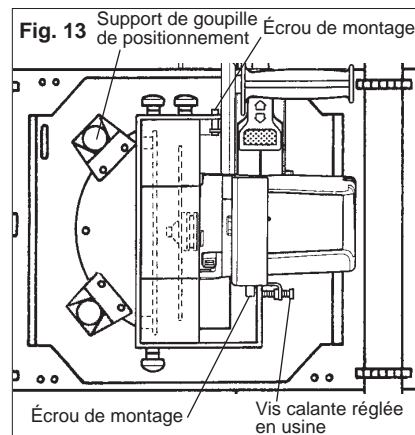
**REMARQUE:** Pour fins de clarification, la figure 12 n'illustre pas le contrepoids. Il n'est pas nécessaire d'enlever le contrepoids pour exécuter cette étape.

5. À l'aide d'un maillet amortisseur, frappez sur le côté du support et dans la direction où les tubes doivent être déplacés.
6. Vérifiez de nouveau l'ajustement des tubes aux rouleaux en répétant la procédure au besoin.
7. Serrez les écrous du tube de guidage supérieur.

### Étape 3-Réglage de la lame-Parallélisme

La lame doit être parallèle aux tubes de guidage, sinon l'extrémité sera soumise à une usure excessive et la saignée sera plus large que le réglage de la lame. Effectuez les réglages suivants uniquement si la lame semble être désalignée. Vérifiez TOUJOURS l'alignement des rouleaux et des tubes de guidage avant de régler la lame.

1. Pour vérifier le parallélisme de la lame, placez le support de scie en position de coupe transversale et coupez un échantillon. Si la lame chauffe, brûle les rebords de coupe, etc. vérifiez les deux côtés de la coupe pour déterminer le côté de la lame qui doit être corrigé.
2. Débranchez l'outil.
3. Placez l'équerre sur les rouleaux et abaissez le support de scie pour que l'équerre pende au dessus de la lame.
4. Placez l'équerre contre la lame. Toute la face de la lame doit entrer en contact avec l'équerre. Sinon la lame n'est pas parallèle avec la pièce.



5. Desserrez (mais n'enlevez pas) les deux écrous à tête hexagonale maintenant le support de la goupille de positionnement (Fig. 13). Si vous détectez des marques de brûlures dans le côté gauche de la pièce, faites tourner la scie dans le sens horaire jusqu'à ce que toute la face de la lame entre en contact avec l'équerre. Si vous détectez des marques de brûlures dans le côté droit de la pièce, faites tourner la scie dans le sens antihoraire jusqu'à ce que toute la face de la lame entre en contact avec l'équerre. Effectuez UNIQUEMENT de petits réglages.
6. Serrez fermement les deux écrous à tête hexagonale qui maintiennent le support de la goupille de positionnement.
7. Branchez l'outil et coupez un autre échantillon. Répétez l'opération au besoin.

### Étape 4 – Réglage de la lame - Perpendicularité

Si vous déposez le moteur sans vous assurer que la vis calante réglée à l'usine est bien en contact avec la plaque du moteur de la scie, la lame ne sera pas perpendiculaire (90°) à la pièce à travailler, ce qui pourra entraîner des coupes inexactes.

1. Débranchez l'outil.
2. Pour régler la perpendicularité, desserrez les deux écrous de montage situés à l'avant du moteur de la scie. La vis calante est située sur le côté droit de ces écrous (Fig. 13).
3. Desserrez le contre-écrou situé sous le support. Serrez ou desserrez la vis calante selon le réglage d'angle requis. Effectuez UNIQUEMENT de petits réglages.
4. Serrez le contre-écrou en vous assurant que la vis entre en contact avec la plaque verticale.
5. Serrez les deux écrous hexagonaux pour fixer solidement la scie.
6. Branchez l'outil et coupez un autre échantillon. Répétez l'opération au besoin.

## MANIEMENT



### AVERTISSEMENT

Pour minimiser les risques de blessures, portez des lunettes à coques latérales.

3. Utilisez une clé fournie avec l'outil pour enlever le boulon de la broche en tournant dans le sens antihoraire tandis que vous tenez le bouton de verrouillage de la broche.
4. Déposez la joue extérieure, la lame et la joue intérieure. Nettoyez la broche, les joues, le boulon et la lame pour enlever l'accumulation de poussière et de débris.
5. Remettez en place la joue intérieure.
6. Montez la lame avec la flèche pointant dans le sens horaire.
7. Remettez en place la joue extérieure. Serrez le boulon dans le sens horaire avec la clé fournie tandis que vous tenez le bouton du verrou de broche.
8. Montez la protection de lame (voir « Installation de la protection de lame »).

### Sélection d'une lame

Une lame combinée / à refendre est fournie avec l'outil.

**MILWAUKEE** recommande d'utiliser des lames figurant dans la liste des « Accessoires ». Ces lames offriront la meilleure performance de l'outil et permettront d'effectuer les meilleures coupes. Maintenez toujours les lames propres et bien affûtées pour obtenir la meilleure performance. Une lame émoussée ou sale peut se coincer et provoquer ainsi un recul ou effectuer une coupe médiocre.

### Changement de lames

1. Débranchez l'outil.
2. Déposez la protection de lame (voir « Installation de la protection de lame »).

**REMARQUE:** Il peut s'avérer nécessaire de régler de nouveau les règles après un changement ou un affûtage des lames (voir « Réglage des règles »).



## AVERTISSEMENT

Pour réduire les risques de blessures, s'assurer que l'outil est à l'ARRÊT avant de le brancher.

### Démarrage et arrêt du moteur

1. Pour **démarrer** le moteur, placez l'interrupteur vers le haut. L'interrupteur reste en haut jusqu'à ce qu'il soit poussé vers le bas.
2. Pour **arrêter** le moteur, placez l'interrupteur vers le bas.



## AVERTISSEMENT

Ne jamais couper des pièces plus étroites que la largeur du support de la scie. Pour des fins de sécurité, la pièce doit être maintenue correctement. Si le support se déplace au-dessus de la pièce, il est impossible de maintenir la pièce de façon sécuritaire pour la coupe. Utilisez un outil mieux adapté à ce type d'application.

### Coupe transversale

Une coupe transversale est une coupe verticale qui doit toujours commencer vers le haut et descendre vers le bas de la pièce.

MILWAUKEE recommande d'utiliser la trousse de barre de fixation pour des coupes fréquentes de pièces plus minces que 6 mm (1/4") (voir « Accessoires »).

La pièce doit être supportée par au moins deux rouleaux. Si vous utilisez une trousse de garde centrale, le matériau doit être étendu sur au moins 102 mm (4") au-delà du support de scie sur l'un ou l'autre des côtés.

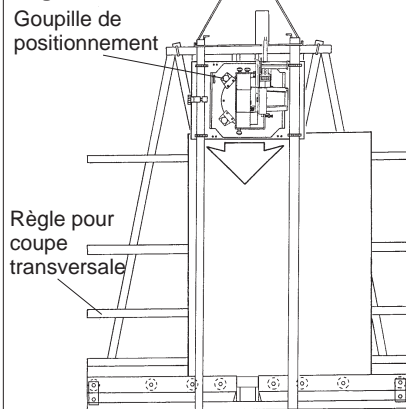
Pour faciliter la coupe et obtenir une meilleure performance, MILWAUKEE recommande d'utiliser une trousse d'extension pour la coupe transversale de pièces qui dépassent la lame de 1,5 m (5') ou plus de chaque côté. N'effectuez pas de coupe transversale au-delà de 2,4 m (8').



## AVERTISSEMENT

Pour réduire les risques de blessures, ne pas mettre les mains sur ou en dessous du support de scie, ou dans la trajectoire de la lame.

Fig. 14



Exécution de la coupe :

1. Faites tourner le moteur de la scie pour le placer en position de coupe transversale (Fig. 14). Pour faire tourner le moteur, retirez les goupilles de positionnement d'une main et faites tourner le moteur de la scie avec l'autre main. Verrouillez les goupilles de positionnement dans le trou percé à cet effet sur le support de scie. Les goupilles comporte un ressort et doit s'enclencher dans sa position.
2. Desserrez le verrou du support et laissez le moteur de scie s'élever au-dessus de l'outil. Le moteur est fixé au câble du contrepoids et doit s'élever de lui-même au-dessus des tubes de guidage. Si ce n'est pas le cas, voir « Lubrification des tubes de guidage » dans la section sur l'entretien.
3. Branchez l'outil.
4. Placez la pièce sur les rouleaux. Ne faites pas tomber la pièce, car cela pourrait désaligner les rouleaux d'alignement ou les endommager.  
Faites glisser la pièce à la position voulue en utilisant comme repère la règle pour coupe transversale.
5. Démarrez le moteur et laissez-le atteindre sa pleine vitesse avant d'entamer la coupe.

6. Lorsque le moteur a atteint sa pleine vitesse, abaissez lentement le moteur dans la pièce en gardant votre main sur la poignée.
7. Une fois la coupe terminée, mettez l'outil hors tension et attendez que la lame s'arrête complètement de tourner.
8. Relevez le moteur de scie et laissez-le revenir au-dessus des tubes de guidage.
9. Resserrez le verrou du support.

**REMARQUE :** Une lame en rotation par inertie peut gêner le rebord d'une pièce nouvellement coupée.



## AVERTISSEMENT

Ne jamais couper des pièces plus étroites que la largeur du support de la scie. Pour des fins de sécurité, la pièce doit être maintenue correctement. Si le support se déplace au-dessus de la pièce, il est impossible de maintenir la pièce de façon sécuritaire pour la coupe. Utilisez un outil mieux adapté à ce type d'application.

### Coupe longitudinale

Une coupe longitudinale est une coupe horizontale exécutée de la GAUCHE VERS LA DROITE ou de la DROITE VERS LA GAUCHE, mais où la pièce doit toujours être déplacée au travers de la scie dans la direction de la flèche marquée sur le moteur de scie.

MILWAUKEE recommande d'utiliser la trousse de barre de fixation pour des coupes fréquentes de pièces plus minces que 6 mm (1/4") (voir « Accessoires »).

La longueur minimale recommandée pour les coupes en long est de 762 mm (30") (pièce supportée par quatre rouleaux). Utilisez la même taille avec une trousse de garde centrale.

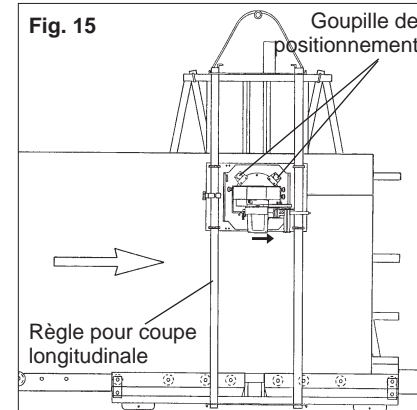
Pour faciliter la coupe et obtenir la meilleure performance, MILWAUKEE recommande d'utiliser la trousse d'extension pour la coupe longitudinale de pièces dépassant 1,82 m (6') (voir « Accessoires »). N'effectuez pas de coupe longitudinale au-delà de 2,4 m (8').



## AVERTISSEMENT

Pour réduire les risques de blessures, toujours pratiquer une coupe longitudinale en déplaçant la pièce à travers la scie, dans la direction de la flèche marquée sur le moteur de la scie.

Fig. 15



1. Sélectionnez la coupe à partir de la gauche ou de la droite, selon vos préférences. Faites tourner le moteur de la scie pour le placer en position de coupe longitudinale (Fig. 15). Pour faire tourner le moteur, retirez les goupilles de positionnement d'une main et faites tourner le moteur de la scie avec l'autre main. Verrouillez les goupilles de positionnement dans un des trous percés à cet effet sur le support de scie. Les goupilles comporte un ressort et doit s'enclencher dans sa position. Assurez-vous que toute personne à proximité soit protégée de l'outil.
2. Sélectionnez la hauteur de scie correspondant à votre pièce, en respectant la mesure de la règle.
3. Resserrez solidement le verrou du support.
4. Branchez l'outil.
5. Démarrez le moteur et laissez-le atteindre sa pleine vitesse avant d'entamer la coupe.
6. Placez la pièce sur les rouleaux. Ne faites pas tomber la pièce, car cela pourrait désaligner les rouleaux d'alignement ou les endommager.



## AVERTISSEMENT

Pour réduire les risques de blessures et les dommages à l'outil, ne pas utiliser de pousoirs. Les pousoirs ou une pièce peuvent reculer brusquement, coincer la lame ou se coincer dans la lame et être projetés de l'outil.

- Lorsque le moteur a atteint sa pleine vitesse, déplacez lentement la pièce à travers la scie dans la direction de la flèche marquée sur le moteur de la scie. Évitez de placer vos mains, vos vêtements ou des parties de votre corps sous le support de scie. Ne regardez jamais sous la ligne de coupe, car des débris peuvent être projetés de cet endroit pendant l'utilisation. N'utilisez pas de pousoirs.



## AVERTISSEMENT

Pour réduire les risques de blessures, toujours protéger les personnes à proximité de l'outil. Ne jamais regarder sous la ligne de coupe, car des débris peuvent être projetés de cet endroit pendant l'utilisation.

## ACCESSOIRES



## AVERTISSEMENT

Pour minimiser les risques de blessures, débranchez toujours l'outil avant d'y installer ou d'en enlever les accessoires. L'emploi d'accessoires autres que ceux qui sont expressément recommandés pour cet outil peut présenter des risques.

Pour une liste complète des accessoires, prière de se reporter au catalogue *MILWAUKEE* Electric Tool ou visiter le site internet [www.milwaukeetool.com](http://www.milwaukeetool.com). Pour obtenir un catalogue, il suffit de contacter votre distributeur local ou l'un des centres-service.

### Trousse de barre de fixation (49-22-8100)

Maintient des matériaux minces et flexibles pour des coupes sans broutage. Les bras à ressort comportent des roulettes en nylon intégrées qui empêchent de gâcher les matériaux. Peut maintenir des matériaux d'une épaisseur allant jusqu'à 19 mm (3/4").

- Une fois la coupe terminée, mettez l'outil hors tension et attendez que la lame s'arrête complètement de tourner.
- Enlevez les rebuts et retirez la pièce finie de l'outil.
- Remplacez le support de scie à sa position la plus élevée sur les tubes de guidage.
- Resserrez le verrou du support.

NOTE : Après avoir terminé la coupe longitudinale, remettre le support en position de coupe transversale.

### Coupes de moins de 25 mm (1")

Lorsque vous effectuez des coupes de moins de 25 mm (1"), la protection anti-broutage (située à l'intérieur de la protection de lame) doit être sur la pièce et non sur les morceaux coupés. Si la protection anti-broutage est sur les morceaux coupés, la pièce va se coincer et empêcher le support de poursuivre la coupe. Si la scie se bloque, mettez l'outil HORS TENSION et attendez que la lame s'arrête. Retirez ensuite la lame de la coupe.

### Fonction de déverrouillage

Débranchez l'outil avant d'installer le cadenas. Un trou pratiqué dans l'interrupteur permet d'y introduire un cadenas (non fourni avec l'outil), afin de verrouiller l'outil lorsqu'il n'est pas utilisé. Utilisez un cadenas avec une manille de 38 mm (1-1/2") et d'un diamètre de 8 mm (5/16") (comme un Master Lock 1KALJ).

### Trousse de collecteur poussière (49-22-8105)

Trousse autonome qui ramasse la poussière et les débris. Requiert un aspirateur. *MILWAUKEE* recommande l'utilisation d'aspirateurs avec les numéros de modèle suivants : 8911, 8912, 8925 et 8935.

La fixation fournie avec la trousse a un diamètre intérieur de 38 mm (1-1/2").

### Trousse de roues (49-22-8106)

Comprend deux roues qui rendent les scies de 203 mm (8") plus facilement portables.

### Trousse d'extension (49-22-8108)

Pour faciliter la coupe et obtenir une meilleure performance, *MILWAUKEE* recommande l'utilisation de la trousse d'extension lorsque la coupe transversale s'étend au-delà de la lame sur 1,5 m (5') ou plus d'un côté et lorsque la coupe longitudinale s'étend sur plus de 1,8 m (6').

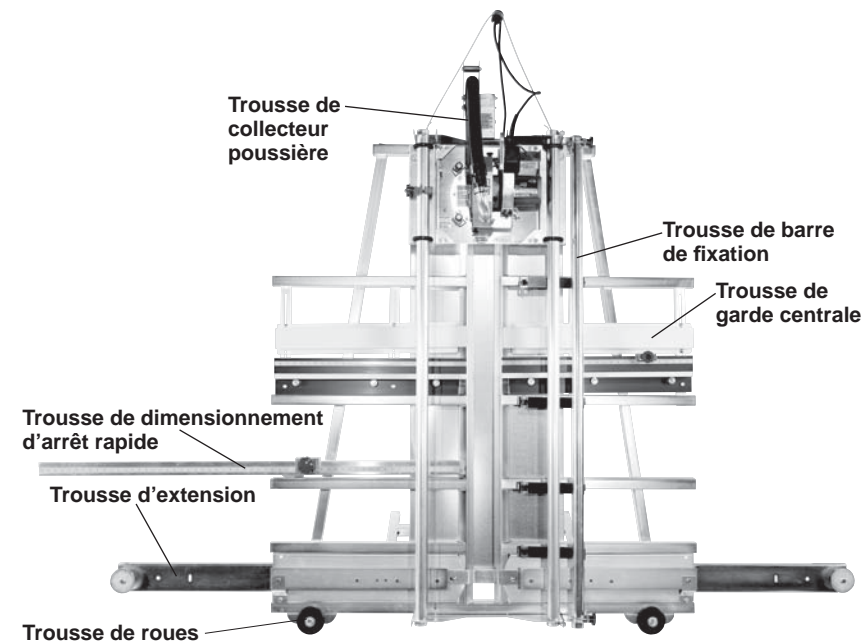
### Trousse de garde centrale (49-22-8110)

Permet la coupe de petits panneaux à hauteur de taille sur un cadre de scie de 203 mm (8"). La trousse comprend les côtés gauche et droit, des règles de 762 mm (30"), un butoir manuel et des gardes en bois à changement rapide.

### Lames de scie

Pour obtenir la meilleure performance et les coupes les plus précises, *MILWAUKEE* recommande l'utilisation des lames figurant dans le tableau suivant.

| No de cat. | Description                  | Nbre de dents | Épaisseur de saignée | Diamètre        |
|------------|------------------------------|---------------|----------------------|-----------------|
| 48-40-4148 | Charpentage/découpage        | 18            | 1,8 mm (0,071")      | 210 mm (8-1/4") |
| 48-40-4150 | Découpage/coupe transversale | 24            | 1,8 mm (0,071")      | 210 mm (8-1/4") |
| 48-40-4152 | Finition/garniture           | 40            | 1,8 mm (0,071")      | 210 mm (8-1/4") |
| 48-40-4154 | Découpage/coupe transversale | 24            | 3,1 mm (0,122")      | 210 mm (8-1/4") |
| 48-40-4156 | Finition/garniture           | 40            | 3,1 mm (0,122")      | 210 mm (8-1/4") |
| 48-40-4158 | Finition/garniture           | 60            | 3,1 mm (0,122")      | 210 mm (8-1/4") |



## MAINTENANCE



### AVERTISSEMENT

**Pour minimiser les risques de blessures, débranchez toujours l'outil avant d'y effectuer des travaux de maintenance. Ne faites pas vous-même le démontage de l'outil ni le rebobinage du système électrique. Consultez un centre de service MILWAUKEE accrédité pour toutes les réparations.**

#### Entretien de l'outil

Gardez l'outil en bon état en adoptant un programme d'entretien ponctuel. Avant de vous en servir, examinez son état en général. Inspectez-en la garde, interrupteur, cordon et cordon de rallonge pour en déceler les défauts. Vérifiez le serrage des vis, l'alignement et le jeu des pièces mobiles, les vices de montage, bris de pièces et toute autre condition pouvant en rendre le fonctionnement dangereux. Si un bruit ou une vibration insolite survient, arrêtez immédiatement l'outil et faites-le vérifier avant de vous en servir de nouveau. N'utilisez pas un outil défectueux. Fixez-y une étiquette marquée « HORS D'USAGE » jusqu'à ce qu'il soit réparé (voir « Réparations »).

Normalement, il ne sera pas nécessaire de lubrifier l'outil avant que le temps ne soit venu de remplacer les balais. Après une période pouvant aller de 6 mois à un an, selon l'usage, retournez votre outil à un centre de service MILWAUKEE accrédité pour obtenir les services suivants:

- Lubrification
- Inspection et remplacement des balais
- Inspection et nettoyage de la mécanique (engrenages, pivots, coussinets, boîtier etc.)
- Inspection électrique (interrupteur, cordon, induit etc.)
- Vérification du fonctionnement électromécanique

#### Lubrification des tubes de guidage

Le support de scie doit s'élever de lui-même à partir du fond jusqu'à la partie supérieure des tubes de guidage. Toutefois, si les tubes sont collés par une accumulation de débris ou de poussière, le support de scie peut se bloquer ou glisser difficilement. Nettoyez régulièrement les tubes de guidage avec un chiffon humide en suivant les directives de la section « Nettoyage ». Appliquez ensuite un lubrifiant sec comme du PTFE ou un vaporisateur au silicone. D'autres types de lubrifiants entraîneront l'accumulation de débris sur les tubes et contamineront les roulements.



### AVERTISSEMENT

**Pour minimiser les risques de blessures, choc électrique et dommage à l'outil, n'immergez jamais l'outil et ne laissez pas de liquide s'y infiltrer.**

#### Nettoyage

Débarassez les événements des débris et de la poussière. Gardez les poignées de l'outil propres, à sec et exemptes d'huile ou de graisse. Le nettoyage de l'outil doit se faire avec un linge humide et un savon doux. Certains nettoyants tels l'essence, la térébenthine, les diluants à laque ou à peinture, les solvants chlorés, l'ammoniaque et les détergents d'usage domestique qui en contiennent pourraient détériorer le plastique et l'isolation des pièces. Ne laissez jamais de solvants inflammables ou combustibles auprès des outils.

#### Réparations

Si votre outil est endommagé, retournez l'outil entier au centre de maintenance le plus proche.

## GARANTIE LIMITÉE DE L'OUTIL DE CINQ ANS

Chaque outil électrique MILWAUKEE (y compris le chargeur de batterie) est garanti à l'acheteur d'origine être exempt de vice du matériau et de fabrication. Sous réserve de certaines exceptions, MILWAUKEE réparera ou remplacera toute pièce d'un outil électrique qui, après examen, sera avéré par MILWAUKEE être affecté d'un vice du matériau ou de fabrication pendant une période de cinq (5) ans\* après la date d'achat. Le retour de l'outil électrique, accompagné d'une copie de la preuve d'achat à un site d'entretien d'usine/de promotion des ventes de MILWAUKEE ou à un poste d'entretien agréé MILWAUKEE, en port prépayé et assuré, est requis pour que cette garantie s'applique. Cette garantie ne couvre pas les dommages que MILWAUKEE détermine être causés par des réparations ou des tentatives de réparation par quiconque autre que le personnel agréé par MILWAUKEE, des utilisations incorrectes, des altérations, des utilisations abusives, une usure normale, une carence d'entretien ou les accidents.

\* La période de garantie pour les palans (palans à levier, à chaîne manuelle et à chaîne électrique), tous les blocs de batteries au NiCd, les projecteurs de travail (lampes torches sans fil), les radios de chantier et les chariots de travail industriels Trade Titan™ est d'un (1) an à partir de la date d'achat. \*La période de garantie pour les blocs de batteries au lithium-ion qui ne sont pas équipés de la technologie V™ (entre 4 et 18 volts) est de deux (2) ans à partir de la date d'achat.

\*Il existe une garantie séparée pour les blocs de batteries au lithium-ion avec technologie V™ de 18 volts et plus qui accompagnent les outils électriques sans fil de technologie V™ :

\*Chaque batterie au lithium-ion 18 volts ou plus de technologie MILWAUKEE V™ est couverte par une garantie de remplacement gratuit initial pour 1 000 charges/2 ans. Ceci signifie qu'avant les 1 000 premières charges ou deux (2) années suivant la date d'achat/la première charge, une batterie de rechange sera fournie gratuitement au client pour toute batterie défectueuse. Par la suite, les clients recevront aussi une garantie supplémentaire calculée au prorata dans la limite de 2 000 charges ou cinq (5) années suivant la date d'achat/la première charge, à la première échéance. Ceci signifie que chaque client obtient une garantie au prorata supplémentaire de 1 000 charges ou de trois (3) années sur les batteries au lithium-ion 18 volts ou plus de technologie V™ en fonction de l'utilisation. Pendant cette période de garantie supplémentaire, le client ne paye que pour le service utilisable reçu au-delà des 1 000 premières charges/2 premières années, en fonction de la date de la première charge et du nombre de charges des batteries déterminés par le lecteur de service MILWAUKEE de technologie V™.

L'enregistrement de la garantie n'est pas nécessaire pour bénéficier de la garantie en vigueur sur un produit MILWAUKEE. Une preuve d'achat sous la forme d'un reçu de vente ou d'autres informations considérées suffisantes par MILWAUKEE est cependant requise.

L'ACCEPTATION DES RECOURS EXCLUSIFS DE RÉPARATION ET DE REMPLACEMENT DÉCRITS PAR LES PRÉSENTES EST UNE CONDITION DU CONTRAT D'ACHAT DE TOUT PRODUIT MILWAUKEE. SI VOUS N'ACCEPTÉZ PAS CETTE CONDITION, VOUS NE DEVEZ PAS ACHETER LE PRODUIT. EN AUCUN CAS MILWAUKEE NE SAURAIT ÊTRE RESPONSABLE DE TOUT DOMMAGE ACCESSOIRE, SPÉCIAL OU INDIRECT, DE DOMMAGES-INTÉRÊTS PUNITIFS OU DE TOUTE DÉPENSE, D'HONORAIRES D'AVOCATS, DE FRAIS, DE PERTE OU DE DÉLAIS ACCESSOIRES À TOUT DOMMAGE, DÉFAILLANCE OU DÉFAUT DE TOUT PRODUIT, Y COMPRIS NOTAMMENT LES PERTES DE PROFIT. CETTE GARANTIE EST EXCLUSIVE ET REMPLACE TOUTE AUTRE GARANTIE OU CONDITION, ÉCRITE OU VERBALE, EXPRESSE OU IMPLICITE, SANS LIMITER LA GÉNÉRALITÉ DES DISPOSITIONS PRÉCÉDENTES, MILWAUKEE DÉCLINE TOUTE GARANTIE IMPLICITE DE QUALITÉ MARCHANDE OU D'ADAPTATION À UNE UTILISATION OU À UNE FIN PARTICULIÈRE ET TOUTE AUTRE GARANTIE.

Cette garantie s'applique aux produits vendus aux États-Unis, au Canada et au Mexique uniquement.

## INSTRUCCIONES GENERALES DE SEGURIDAD



### ADVERTENCIA

#### LEA Y ENTIENDA TODAS LAS INSTRUCCIONES

Se debe seguir todas las instrucciones a continuación para evitar una descarga eléctrica, incendio y/o lesiones graves.


#### GUARDE ESTAS INSTRUCCIONES

### AREA DE TRABAJO

1. **Mantenga limpia y bien iluminada el área de trabajo.** Las áreas desordenadas y oscuras favorecen los accidentes.
2. **Evite ambientes peligrosos.** No utilice ni esponja sus herramientas en la lluvia o en lugares mojados. No utilice su herramienta en atmósferas explosivas (con líquidos, gases o sustancias inflamables). Retire del área materiales o residuos que puedan incendiarse con chispas.
3. **Mantenga alejadas a las personas.** Mantenga a distancia segura del área de trabajo, tanto a niños como a visitantes. No permita que personas ajenas distraigan al usuario ni toquen su herramienta o sus extensiones eléctricas.
4. **Proteja a los demás en el área de trabajo** de accidentes con rebabas y chispas eléctricas. Coloque barreras y escudos según sea necesario.
5. **Prepare su taller a prueba de niños** instalando seguros, interruptores maestros o quitando las llaves de encendido de las herramientas.

### SEGURIDAD ELÉCTRICA

6. **Las herramientas conectadas a tierra deben estar enchufadas en una toma corriente que esté instalado correctamente y conectado a tierra de acuerdo con todos los códigos y ordenanzas vigentes.** Nunca retire la clavija de conexión a tierra o modifique el enchufe de ninguna manera. No use enchufes adaptadores. Consulte a un electricista capacitado si tiene dudas para asegurar que el tomacorriente esté correctamente conectado a tierra. Si las herramientas sufren fallas eléctricas, la conexión a tierra proporciona una trayectoria de baja resistencia para que el usuario no quede expuesto a la electricidad.

7. **Las herramientas con aislamiento doble están equipadas con un enchufe polarizado (una clavija es más ancha que la otra). Hay una sola manera de introducir este enchufe en una toma polarizada. Si el enchufe no se ajusta completamente en la toma, dé vuelta el enchufe. Si el problema persiste, póngase en contacto con un electricista calificado para que instale una toma polarizada. No cambie la toma de ninguna manera.** El aislamiento doble  elimina la necesidad de un cable de energía con conexión a tierra con 3 alambres y la de un sistema de suministro de energía con conexión a tierra.
8. **Protejase contra descargas eléctricas.** Evite el contacto personal con superficies "a tierra" tales como tuberías, radiadores, estufas y refrigeradores. Cuando vaya a realizar un corte "ciego", asegúrese de revisar el área de trabajo en busca de cables o tuberías. Sujete su herramienta de las superficies aislantes no metálicas. Use un interruptor para conexiones fallidas "a tierra" (GFCI) para reducir el riesgo de una descarga.
9. **No exponga su herramienta a la lluvia ni la use en sitios mojados o inundados.**
10. **Al operar una herramienta eléctrica a la intemperie, use un cordón de extensión para la intemperie marcado "W-A" o "W".** Estos cordones están aprobados para usos exteriores y reducen el riesgo del choque eléctrico.
11. **No maltrate el cable. Nunca use el cable para transportar las herramientas ni para sacar el enchufe de la toma eléctrica. Mantenga el cable lejos de calefacción, petróleo, bordes afilados o cualquier parte móvil. Reemplace inmediatamente cualquier cable dañado.** Los cables dañados aumentan el riesgo de choque eléctrico.

### SEGURIDAD PERSONAL

12. **Conozca su herramienta.** Lea al detalle este manual del operario para que conozca las aplicaciones y limitaciones, al igual que los riesgos potenciales que ofrece una herramienta de este tipo.
13. **Este alerta. Revise su trabajo y use el sentido común. No opere su herramienta cuando esté cansado, distraído o bajo la influencia de drogas, alcohol o cualquier medicina que cause reducción del control.**
14. **Utilice ropa adecuada. No use ropa suelta o joyería. Use un gorro que recoja el cabello largo y suelto ya que este puede ser atrapado por partes móviles.** Cuando trabaje en el exterior use guantes de hule y zapatillas aislantes. Mantenga las manos y los guantes lejos de partes móviles.
15. **Evite arranques accidentales.** Antes de enchufar la herramienta asegúrese de que se encuentra apagada. No utilice la herramienta si tiene el interruptor dañado y éste no enciende ni apaga la herramienta correctamente. No cargue ni transporte una herramienta conectada, con el dedo colocado en el interruptor.
16. **Retire todas las llaves y calibradores.** Hágase el hábito de verificar que todas las llaves, calibradores, etc. hayan sido removidas de la herramienta antes de operarla.
17. **No se force, mantenga el control. Mantenga siempre una postura y un balance adecuado. Mantenga bien sujeta su herramienta.** Extremar sus precauciones cuando use herramientas en escaleras, techos, áticos, andamios, etc.
18. **Utilice equipo de seguridad.** Todas las personas que se encuentren en el área de trabajo **deberán utilizar anteojos de seguridad o anteojos con protectores laterales que cumplan con las normas de seguridad en vigencia.** Los anteojos normales tienen lentes que son sólo resistentes al impacto pero no son, en modo alguno, lentes de seguridad. Cuando permanezca en el área de trabajo durante períodos prolongados utilice protectores para los oídos. Use también una máscara contra polvo al realizar operaciones donde predominen esas condiciones. Siempre que así se especifique o se exija deberán utilizarse cascos protectores, máscaras protectoras, zapatos de seguridad, etc. Mantenga un extintor de incendios siempre a la mano.

19. **Mantenga las guardas en su lugar y en condiciones de operación.**
20. **No se coloque sobre la herramienta.** Pueden ocurrir serios accidentes si se golpea accidentalmente la herramienta o si se hace contacto no intencional con alguna parte cortante de la misma.
21. **Mantenga las manos retiradas de orillas cortantes y partes en movimiento.**

### USO Y CUIDADO DE LAS HERRAMIENTAS ELÉCTRICAS

22. **Asegure el trabajo.** Use pinzas, sujetadores u otros medios prácticos para asegurar el trabajo. De esta manera tendrá libres ambas manos para operar y controlar la herramienta.
23. **Utilice ropa adecuada.** No use ropa suelta o joyas. Mantenga el cabello largo, ropa y guantes alejados de las partes móviles. **No force su herramienta.** Desarrollará su trabajo mejor y más seguramente si la opera dentro del rango para el que está diseñada. Forzándola solamente causará fatiga al operario, mayor desgaste y menor control.
24. **Utilice la herramienta adecuada.** No utilice una herramienta o accesorio para hacer trabajos para los que no está diseñada ni recomendada. Como por ejemplo, usar una sierra circular para cortar troncos de árbol. No altere la herramienta.
25. **Desconecte la herramienta** cuando no se esté usando, cuando le cambie algún accesorio o le esté dando algún tipo de mantenimiento recomendado.
26. **Proteja su herramienta cuando no la use.** Cuando no la utilice, manténgala guardada en un lugar seco, alto y cerrado, lejos del alcance de los niños.
27. **Nunca deje sola una herramienta que este operando.** Desconéctela siempre. No se separe de la herramienta hasta que esta se haya detenido por completo.
28. **Busque partes dañadas.** Revise las guardas y otras partes antes de usar la herramienta. Busque partes móviles que estén dobladas, mal alineadas, mal montadas, rotas o que presenten cualquier otra condición que pueda afectar la operación. Si se detecta algún ruido o vibración anormal, apague de inmediato la herramienta y solucione el problema antes de volverla a usar. No

use una herramienta dañada. Coloque una etiqueta indicando "NO DEBE USARSE", hasta que sea reparada. Las guardas o cualquier otra parte dañada deberá ser adecuadamente reparada o reemplazada por un Centro de Servicio MILWAUKEE. En todas las reparaciones insista en que se coloquen partes idénticas y originales.

29. **Utilice los accesorios correctos.** Consulte este manual para saber cuáles son los accesorios correctos; puede ser peligroso utilizar accesorios incorrectos. Asegúrese de que los accesorios se encuentran bien instalados y han recibido el mantenimiento adecuado. No olvide poner los protectores o dispositivos de seguridad al instalar un accesorio.
30. **Mantenga su herramienta con cuidado.** Mantenga los mangos secos, limpios y sin aceite ni grasa. Mantenga los filos de corte afilados y limpios. Siga siempre las instrucciones para lubricación y cambio de accesorios. Revise periódicamente el cable y las extensiones en busca de daños. Las partes dañadas deberán ser reparadas o cambiadas por un Centro de Servicio Autorizado MILWAUKEE.

### SERVICIO

31. **El servicio de mantenimiento debe ser realizado solamente por personal técnico debidamente capacitado.** El servicio o mantenimiento realizado por personal no calificado puede aumentar el riesgo de lesiones.
32. **Cuando realice el servicio de mantenimiento, utilice solamente repuestos idénticos. siga las instrucciones en la sección de mantenimiento de este manual.** El uso de partes no autorizadas o el incumplimiento de las instrucciones de mantenimiento puede aumentar el riesgo de descarga eléctrica o lesiones.

### REGLAS ESPECIFICAS DE SEGURIDAD

1. **Guarde las etiquetas y placas de especificaciones.** Estas tienen información importante. Si son ilegibles o si no se pueden encontrar, póngase en contacto con un centro de servicio de MILWAUKEE para una refacción gratis.

2. **ADVERTENCIA** Algunas partículas de polvo resultantes del lijado mecánico, aserrado, esmerilado, taladrado y otras actividades relacionadas a la construcción, contienen sustancias químicas que se saben ocasionan cáncer, defectos congénitos u otros daños al aparato reproductivo. A continuación se citan algunos ejemplos de tales sustancias químicas:

- plomo proveniente de pinturas con base de plomo
- sílice cristalino proveniente de ladrillos, cemento y otros productos de albañilería y
- arsénico y cromo provenientes de madera químicamente tratada.

El riesgo que usted sufre debido a la exposición varía dependiendo de la frecuencia con la que usted realiza estas tareas. Para reducir la exposición a estas sustancias químicas: trabaje en un área bien ventilada, y utilice equipo de seguridad aprobado como, por ejemplo, máscaras contra el polvo que hayan sido específicamente diseñadas para filtrar partículas microscópicas.

3. **Maneje el contrapeso con cuidado.** El cable se encuentra bajo tensión. Ensamble siempre el cable al soporte móvil de la sierra antes de retirar la pinza del cable. No tire del cable con la mano o intente desarmar o reparar el contrapeso.
4. **No destruya las guardas ni opere la herramienta sin las guardas en su lugar.**
5. **No use empujadores.** Los empujadores o la pieza de trabajo pueden retroceder, causar que la cuchilla se atore, o quedar atrapados en la cuchilla y desprenderse de la herramienta.
6. **El corte transversal (corte vertical) debe realizarse siempre de arriba hacia abajo.** El soporte móvil de la sierra debe ajustarse a la posición más elevada en los tubos guía y bloquearse en su posición con la traba del soporte móvil siempre que no se esté utilizando la herramienta. Consulte la sección "Corte transversal".
7. **El corte longitudinal (corte horizontal) debe realizarse siempre moviendo la pieza de trabajo a través de la sierra en dirección de la flecha en el motor de la sierra.** El soporte móvil de la sierra debe elevarse hasta la parte superior de los tubos guía y bloquearse en su posición con la traba del soporte móvil siempre que no se esté utilizando la herramienta. Consulte la sección "Corte longitudinal".

8. **Nunca corte piezas de trabajo de una anchura menor que la del soporte móvil de la sierra.** A modo de garantizar la seguridad, se debe mantener el apoyo adecuado para la pieza de trabajo. Cuando el soporte móvil se mueve sobre la pieza de trabajo, será imposible apoyar la pieza de trabajo con seguridad para realizar el corte. Utilice una herramienta que se adecue mejor a estas aplicaciones.

9. **Siempre espere a que la cuchilla se detenga completamente antes de cambiar posiciones.** Desconecte la herramienta antes de transportarla o moverla.

10. **No coloque las manos sobre o debajo del soporte móvil de la sierra o en la trayectoria de la cuchilla.** No intente retirar una pieza de material cortada mientras la cuchilla se encuentra girando.

11. **Haga el taller a prueba de niños.** Use candados, interruptores maestros o remueva las llaves del arrancador. Consulte la sección "Función de liberación de bloqueo".

12. **Reemplace las guardas luego de cambiar la cuchilla.** Mantenga las guardas en buen estado.

13. **Dirección de avance.** Haga avanzar la pieza de trabajo en una cuchilla o cortador contra la dirección de rotación de la cuchilla o del cortador solamente.

14. **Causas del contragolpe y formas en que el operador puede prevenirlo:**

El contragolpe es una reacción repentina ocasionada por una cuchilla mal alineada, atascada o apretada que hará que una sierra sin control se levante y se salga del corte, y salte en dirección del operario.

Cuando el corte se cierra, la cuchilla se aprieta o se atasca y, consiguientemente, se detiene; al detenerse la cuchilla, la reacción del motor mueve la sierra rápidamente hacia atrás en dirección del operario.

Si la cuchilla se tuerce o se desalinea del corte, los dientes en su borde inferior pueden horadar hasta la superficie ocasionando que la cuchilla se salga completamente del corte y salte hacia atrás en dirección del operario.

*El contragolpe es consecuencia de la mala utilización de la herramienta y de procedimientos o circunstancias de operación inadecuadas. Puede evitarse si se toman las debidas precauciones, tal como se describe a continuación:*

- **Mantenga la cuchilla limpia y afilada.** Las cuchillas desafiladas o con triscado erróneo producen una ranura delgada que ocasiona fricción excesiva, atoramiento de la cuchilla y CONTRAGOLPE. Cualquier cuchilla con un triscado pequeño, aunque esté afilada, probablemente tendrá contragolpe. Una cuchilla sin filo hace que el operador fuerce la sierra, ocasionando así un menor control y el atoramiento de la cuchilla. La fricción excesiva generada puede ocasionar el pandeo o el atascamiento de la cuchilla. Emplee únicamente cuchillas recomendadas para usar con su herramienta. No use cuchillas con orificios de montaje del tamaño o forma incorrectos. Nunca use arandelas o pernos de cuchillas defectuosos o erróneos. Asegúrese que el perno de la cuchilla esté apretado. Seleccione la cuchilla correcta para la aplicación. Las especificaciones de la velocidad de la cuchilla deben ser por lo menos tan altas como el valor de RPM indicado en la placa de especificaciones.
- **No fuerce la herramienta.** Permita que la sierra realice el trabajo. Una sierra podrá controlarse con mayor facilidad y realizará el trabajo de manera más eficaz cuando se utiliza según fue diseñada.
- **Manténgase alerta.** Preste atención a lo que está haciendo y actúe con sentido común. No permita que nada lo distraiga. No maneje la herramienta cuando se encuentre cansado, o bajo los efectos de drogas o alcohol. Sostenga la herramienta o el material con firmeza y ejerza control en todo momento. Colóquese usted y coloque a sus compañeros fuera de la trayectoria del contragolpe. Los cortes repetitivos hacen que el usuario efectúe movimientos descuidados y pueden además ocasionar contragolpe. Puede que lo único necesario para evitar el problema sea un leve "estirón".
- **Cuando la cuchilla se esté atorando, o al interrumpir el corte por cualquier razón, apague el interruptor y sujete la sierra sobre el material, sin moverla, hasta que la cuchilla se detenga completamente.** Nunca intente extraer la sierra de la pieza de trabajo ni tire de la sierra hacia atrás mientras la cuchilla esté en movimiento ya que podría ocurrir un CONTRAGOLPE. Investigue y tome las acciones correctivas para eliminar la causa de atoramiento de la cuchilla.

- Para extraer la cuchilla luego de tener un corte parcial, permita que la cuchilla se detenga y luego retroceda la sierra (corte transversal) o los paneles (corte longitudinal).

- Al volver a colocar la sierra en la pieza de trabajo, centre la cuchilla en la ranura y verifique que los dientes de la sierra no hagan contacto con el material. Si la cuchilla se traba, podría elevarse o producir el CONTRAGOLPE de la pieza de trabajo al activar la sierra.
- Evite cortar clavos. Inspeccione y extraiga todos los clavos antes de realizar el corte.

## TIERRA



### ADVERTENCIA

Puede haber riesgo de descarga eléctrica si se conecta el cable de conexión de puesta a tierra incorrectamente. Consulte con un electricista certificado si tiene dudas respecto a la conexión de puesta a tierra del tomacorriente. No modifique el enchufe que se proporciona con la herramienta. Nunca retire la clavija de conexión de puesta a tierra del enchufe. No use la herramienta si el cable o el enchufe está dañado. Si está dañado antes de usarlo, llévelo a un centro de servicio MILWAUKEE para que lo reparen. Si el enchufe no se acopla al tomacorriente, haga que un electricista certificado instale un toma-corriente adecuado.

### Herramientas con conexión a tierra: Herramientas con enchufes de tres clavijas

Las herramientas marcadas con la frase "Se requiere conexión de puesta a tierra" tienen un cable de tres hilo y enchufes de conexión de puesta a tierra de tres clavijas. El enchufe debe conectarse a un tomacorriente debidamente conectado a tierra (véase la Figura A). Si la herramienta se averiara o no funcionara correctamente, la conexión de puesta a tierra proporciona un trayecto de baja resistencia para desviar la corriente eléctrica de la trayectoria del usuario, reduciendo de este modo el riesgo de descarga eléctrica.

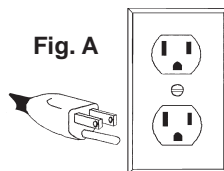


Fig. A

La clavija de conexión de puesta a tierra en el enchufe está conectada al sistema de conexión de puesta a tierra de la herramienta a través del hilo verde dentro del cable. El hilo verde debe ser el único hilo conectado al sistema de conexión de puesta a tierra de la herramienta y nunca se debe unir a una terminal energizada.

Su herramienta debe estar enchufada en un tomacorriente apropiado, correctamente instalado y conectado a tierra según todos los códigos y reglamentos. El enchufe y el tomacorriente deben asemejarse a los de la Figura A.

### Herramientas con doble aislamiento: Herramientas con clavijas de dos patas

Las herramientas marcadas con "Doble aislamiento" no requieren conectarse "a tierra". Estas herramientas tienen un sistema aislante que satisface los estándares de OSHA y llena los estándares aplicables de UL (Underwriters Laboratories), de la Asociación Canadiense de Estándares (CSA) y el Código Nacional de Electricidad. Las herramientas con doble aislamiento pueden ser usadas en cualquiera de los toma corriente de 120 Volt mostrados en las Figuras B y C.

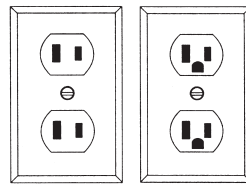


Fig. B

Fig. C

## EXTENSIONES ELECTRICAS

Las herramientas que deben conectarse a tierra cuentan con clavijas de tres patas y requieren que las extensiones que se utilicen con ellas sean también de tres cables. Las herramientas con doble aislamiento y clavijas de dos patas pueden utilizarse indistintamente con extensiones de dos a tres cables. El calibre de la extensión depende de la distancia que exista entre la toma de la corriente y el sitio donde se utilice la herramienta. El uso de extensiones inadecuadas puede causar serias caídas en el voltaje, resultando en pérdida de potencia y posible daño a la herramienta. La tabla que aquí se ilustra sirve de guía para la adecuada selección de la extensión.

Mientras menor sea el número del calibre del cable, mayor será la capacidad del mismo. Por ejemplo, un cable calibre 14 puede transportar una corriente mayor que un cable calibre 16. Cuando use más de una extensión para lograr el largo deseado, asegúrese que cada una tenga al menos, el mínimo tamaño de cable requerido. Si está usando un cable de extensión para más de una herramienta, sume los amperes de las varias placas y use la suma para determinar el tamaño mínimo del cable de extensión.

### Guías para el uso de cables de extensión

- Si está usando un cable de extensión en sitios al aire libre, asegúrese que está marcado con el sufijo "W-A" ("W" en Canadá) el cual indica que puede ser usado al aire libre.
- Asegúrese que su cable de extensión está correctamente cableado y en buenas condiciones eléctricas. Cambie siempre una extensión dañada o hágala reparar por una persona calificada antes de volver a usarla.
- Proteja su extensión eléctrica de objetos cortantes, calor excesivo o áreas mojadas.

### Calibre mínimo recomendado para cables de extensiones eléctricas\*

| Amperios<br>(En la placa) | Largo de cable de Extensión en (m) |      |      |      |      |      |
|---------------------------|------------------------------------|------|------|------|------|------|
|                           | 7,6                                | 15,2 | 22,8 | 30,4 | 45,7 | 60,9 |
| 0 - 5,0                   | 16                                 | 16   | 16   | 14   | 12   | 12   |
| 5,1 - 8,0                 | 16                                 | 16   | 14   | 12   | 10   | --   |
| 8,1 - 12,0                | 14                                 | 14   | 12   | 10   | --   | --   |
| 12,1 - 15,0               | 12                                 | 12   | 10   | 10   | --   | --   |
| 15,1 - 20,0               | 10                                 | 10   | 10   | --   | --   | --   |

\* Basado en limitar la caída en el voltaje a 5 volts al 150% de los amperios.

## LEA Y GUARDE TODAS LAS INSTRUCCIONES PARA FUTURAS REFERENCIAS.

### Simbología

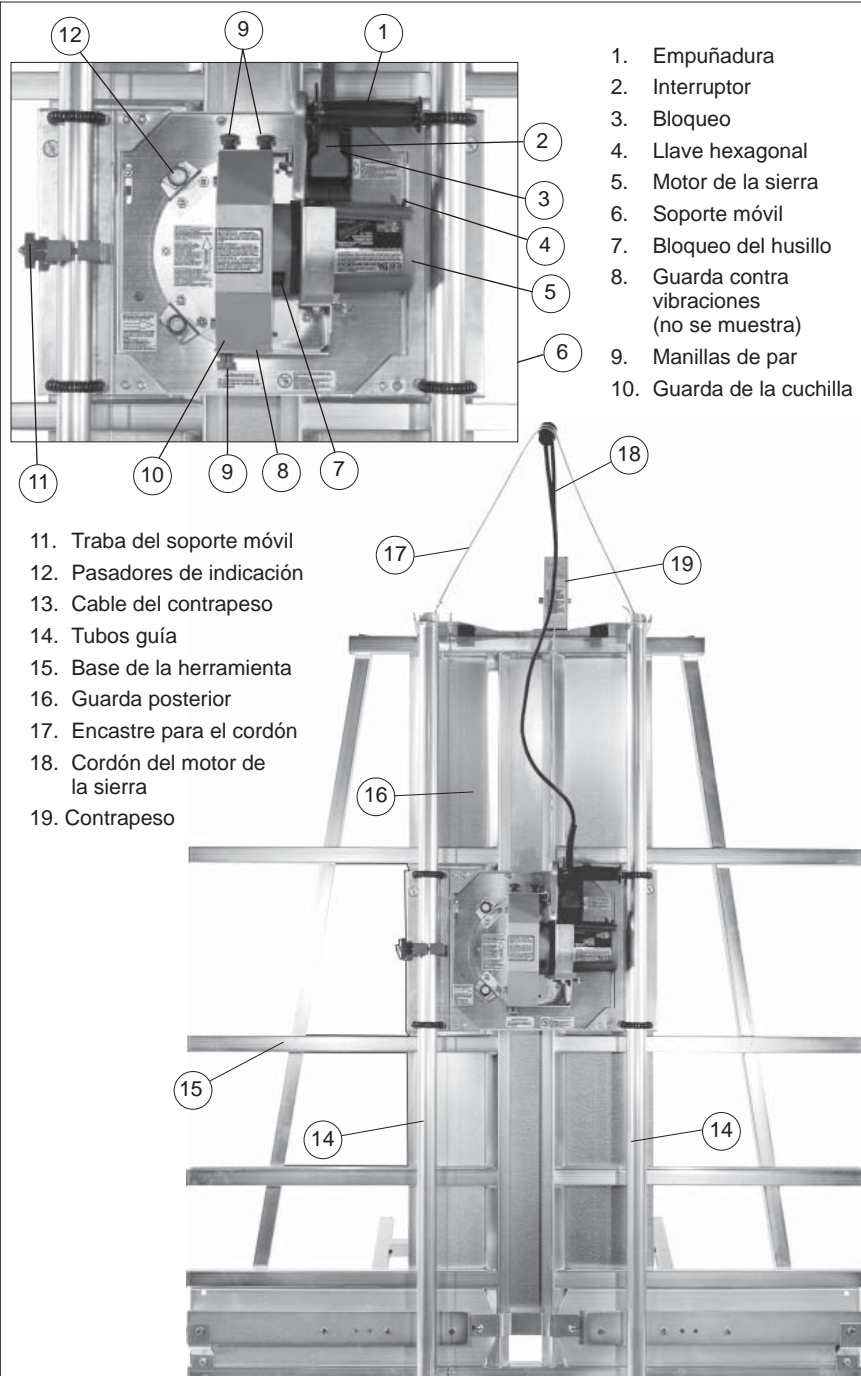
|                 |  |  |  |
|-----------------|--|--|--|
|                 | Aislamiento doble  |  | Amperios   |
|                 | Underwriters Laboratories, Inc.  |  | Underwriters Laboratories, Inc. El Componente Reconocido |
| $n_0$ xxxx/min. | Revoluciones por minuto sin carga (RPM)  |  | Volts de corriente alterna                               |
|                 | No coloque las manos sobre o debajo del soporte móvil de la sierra o en la trayectoria de la cuchilla. |  | No esponga a la lluvia o utilice en entornos húmedos.    |

### Especificaciones

| Cat. No.                  | Volts de ca | Amperios | Velocidad | Tamaño de la cuchilla | Husillo | Capacidad* |          |
|---------------------------|-------------|----------|-----------|-----------------------|---------|------------|----------|
|                           |             |          |           |                       |         | Grosor     | Altura   |
| 6480-20                   | 120         | 15       | 5 800     | 210 mm                | 16 mm   | 45 mm      | 1 275 mm |
| 6486-20 (Motor solamente) | 120         | 15       | 5 800     | 210 mm                | 16 mm   | --         | --       |
| 6485-68 (Motor solamente) | 220-240     | 7,5      | 5 800     | 205 mm                | 16 mm   | --         | --       |
| 6486-68 (Motor solamente) | 220-240     | 7,5      | 5 800     | 210 mm                | 16 mm   | --         | --       |

\*Para información adicional sobre límites, consulte las secciones "Corte longitudinal" y "Corte transversal"

## DESCRIPCION FUNCIONAL



## ENSAMBLAJE DE LA HERRAMIENTA



### ADVERTENCIA

Para reducir el riesgo de una lesión, desconecte siempre la herramienta antes de fijar o retirar accesorios, o antes de efectuar ajustes. Utilice sólo los accesorios específicamente recomendados. El uso de otros accesorios puede ser peligroso.

### Orden de montaje

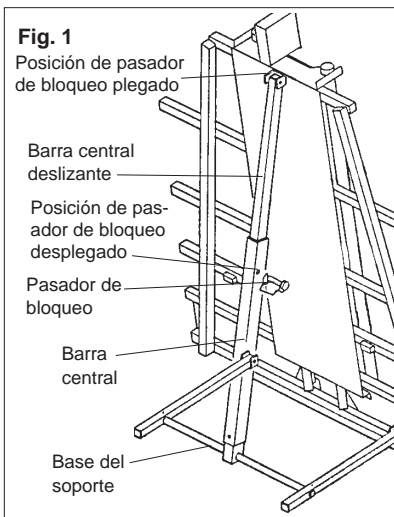
Para evitar lesiones o daño a la herramienta, siga el orden de las secciones en "Ensamblaje de la herramienta". Prepare la herramienta en el siguiente orden de secciones:

1. Colocación del soporte
2. Instalación del contrapeso
3. Montaje del motor de la sierra
4. Instalación de las cuchillas
5. Ajuste de las reglas
6. Instalación de la guarda de la cuchilla
7. Instalación del encastre para el cordón

### Colocación del soporte

Fig. 1

Posición de pasador de bloqueo plegado



Emplee al menos dos personas para retirar el empaque y colocar el soporte. Una persona debe sostener el soporte en posición vertical mientras la otra retira el empaque y coloca el soporte plegable de manera que la herramienta sea autoestable.

1. Mientras otra persona sostiene el soporte en posición vertical, párese detrás del la herramienta. Retire el pasador de bloqueo de la posición de pasador de bloqueo plegado con una mano mientras sostiene la base del soporte con la otra mano de manera que no se despliegue en sus pies.
2. Despliegue el soporte lentamente hasta que el orificio en la barra central deslizante quede alineado con el orificio en la barra central.
3. Inserte el pasador de bloqueo a través de los orificios y asegúrelo bien.



### ADVERTENCIA

A fin de reducir el riesgo de lesiones o daño a los componentes, no intente desarmar o reparar el contrapeso. No tire del cable del contrapeso. El cable se encuentra bajo alta resistencia por resorte. La unidad debe encontrarse debidamente montada antes de retirar la pinza del cable.

### Instalación del contrapeso

Fig. 2

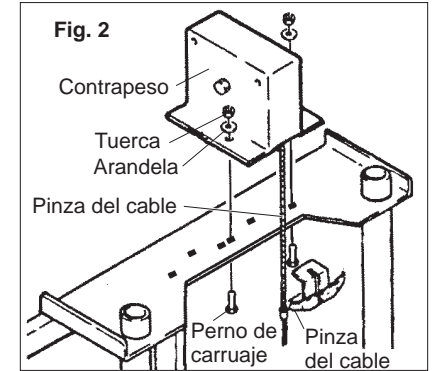
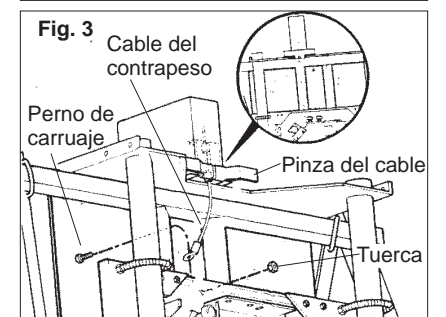


Fig. 3





1. Retire las (2) tuercas de 1/4"-20 las (2) arandelas y los (2) pernos de carruaje de 1/4"-20 x 5/8" del contrapeso. Mantenga en su posición la tuerca y el perno en el cable del contrapeso.

2. Extraiga el extremo del cable desde el interior del contrapeso. El contrapeso debe estar instalado descentrado hacia la derecha (mirando la sierra desde la parte delantera): existen orificios recortados en la parte superior del armazón de la herramienta.

3. Asegure el contrapeso a la herramienta mediante (2) pernos de carruaje, (2) arandelas y (2) tuercas.

**NOTA:** Los pernos de carruaje se instalan desde la parte inferior hacia arriba. Apriete bien las tuercas.

4. Sostenga el soporte móvil de la sierra firmemente mientras afloja la traba del soporte móvil.

5. Eleve el soporte móvil de la sierra hasta que el orificio ovalado en el soporte móvil de la sierra quede alineado con el ojal en el cable del contrapeso, asegurándose que el cable quede detrás del soporte móvil de la sierra.

6. Apriete la traba del soporte móvil.

7. Extraiga la tuerca del perno de carruaje e inserte el perno a través del orificio en el soporte móvil de la sierra y el ojal en el cable del contrapeso. Enrosque la tuerca en el perno y apriete bien.

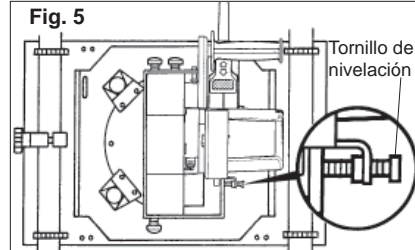
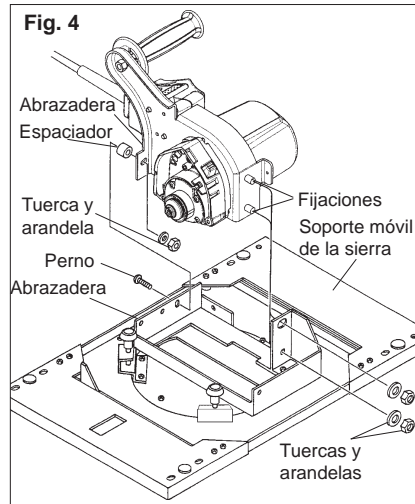
8. Doble las lengüetas de la pinza del cable hacia abajo con la mano.

9. Afloje el perno de carruaje y descienda el soporte móvil de la sierra hasta que la pinza del cable quede completamente expuesta.

10. Apriete la traba del soporte móvil.

11. Extraiga la pinza del cable del cable del contrapeso y guárdela para un uso futuro (por ejemplo, si en alguna ocasión decide extraer el contrapeso, necesitará la pinza del cable para soportar la tensión en el contrapeso).

### Montaje del motor de la sierra



El motor se envía con tres arandelas (3), tres tuercas (3), un espaciador (1) y un perno (1). Retire estos artículos para montar la sierra.

1. Afloje la traba del soporte móvil y descienda el soporte móvil de la sierra a una altura de trabajo cómoda.
2. Apriete bien la traba del soporte móvil.
3. Monte el motor en el soporte móvil de la sierra insertando las fijaciones en el motor de la sierra a través de los orificios en el soporte móvil de la sierra (Fig. 4).
4. Instales las arandelas y las tuercas. Apriete solamente con la mano.
5. Alinee el orificio en la abrazadera que sobresale de la empuñadura de la sierra con el orificio en el soporte móvil de la sierra.
6. Coloque el espaciador entre la abrazadera en el soporte móvil y la abrazadera en la empuñadura de la sierra.
7. Inserte el perno a través de la abrazadera en la empuñadura de la sierra, a través del espaciador, y a través del

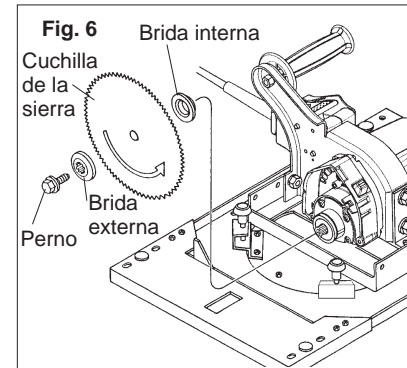
orificio de la abrazadera en el soporte móvil.

8. Enrosque una tuerca en el perno. Apriete solamente con la mano.

9. Asegúrese que la placa en el motor de la sierra esté nivelado contra el tornillo de nivelación para asegurar que la sierra quede recta (Fig. 5). Este tornillo viene regulado de fábrica y no necesita ajustes.

10. Apriete PRIMERO las dos TUERCAS EN LAS FIJACIONES y COMO ULTIMO apriete la TUERCA EN EL PERNO.

### Instalación de la cuchilla



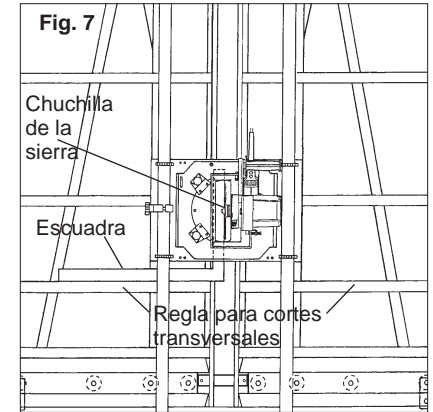
### ADVERTENCIA

**A fin de reducir el riesgo de lesionarse, no opere la sierra sin las guardas en su lugar (consulte la sección "Instalación de la guarda de la cuchilla").**

1. Desconecte la herramienta.
2. Mientras mantiene oprimido el botón de bloqueo del husillo, use la llave de tuercas provista con la herramienta para girar el husillo del motor de la sierra en sentido contrario a las manillas del reloj. Extraiga el perno.
3. Extraiga la brida externa, pero deje la brida interna en el husillo.
4. Instale la cuchilla con la flecha orientada en sentido contrario a las manillas del reloj (Fig. 6).
5. Vuelva a colocar la brida externa.
6. Apriete el perno en el sentido de las manillas del reloj a la vez que sostiene el botón de bloqueo del husillo.

7. Ajuste las reglas (voir "Ajuste de las reglas") y instale a guarda de la cuchilla (voir "Instalación de la guarda de la cuchilla").

### Ajuste de las reglas



La herramienta viene equipada con una regla para cortes longitudinales y dos reglas para cortes transversales (una en cada lado de la herramienta). La regla para cortes longitudinales viene ajustada de fábrica; las reglas para cortes transversales deben ser ajustadas. La cuchilla debe instalarse antes de ajustar las reglas para cortes transversales (vea la sección "Instalación de las cuchillas").

1. Desconecte la herramienta.
2. Afloje la traba del soporte móvil y descienda el soporte móvil de la sierra.
3. A fin de alinear la regla para cortes transversales, utilice una escuadra que mida como mínimo 360 mm (14") en uno de los lados.
4. Alinee un borde de la escuadra con las puntas en la cuchilla de la sierra y el otro borde de la escuadra con la regla.
5. Deslice la regla de modo que su medida corresponda a la medida en la escuadra. Un imán sostiene la regla en su posición, pero a modo de brindar apoyo adicional, usted puede envolver la regla y la estructura con cinta adhesiva transparente.
5. Repita los pasos anteriores a modo de ajustar la regla para cortes transversales en el otro lado de la herramienta.

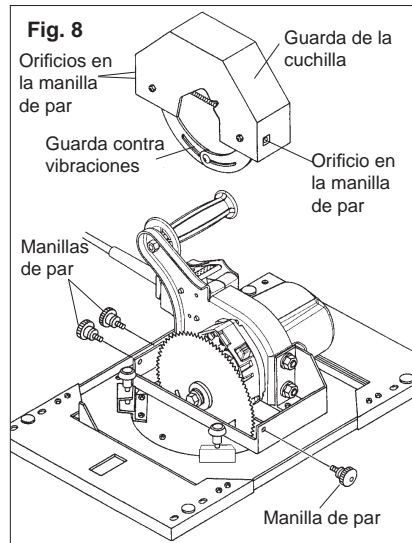
**NOTA:** Luego de haber finalizado el montaje de la herramienta, haga un corte de prueba para verificar que la regla se encuentre ajustada correctamente.



## ADVERTENCIA

A fin de reducir el riesgo de lesionarse, no opere la sierra sin las guardas en su lugar.

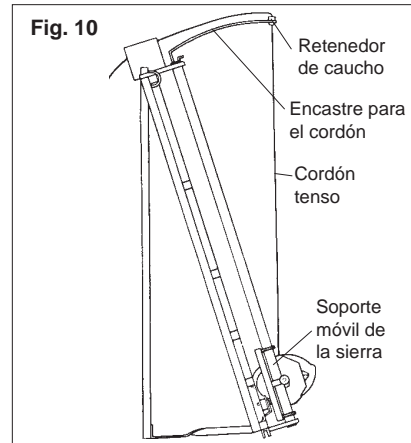
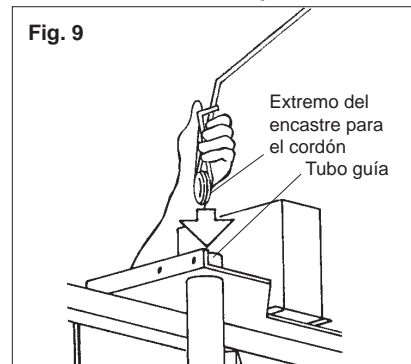
### Instalación de la guarda de la cuchilla



Siempre instale la guarda de la cuchilla antes de operar la sierra. La guarda se envía con la guarda contra vibraciones empujada hacia arriba, en el interior de la guarda de la cuchilla y tres manillas de par instaladas. Acceda a la parte superior de la guarda de la cuchilla y tire de la guarda contra vibraciones hacia abajo. Retire las manillas para instalar la guarda. Deje las arandelas de caucho en las manillas de par para evitar que las manillas se deslicen.

1. Desconecte la herramienta.
2. Para acoplar la guarda, alinee los orificios en la manilla de par en la guarda de la cuchilla y en el soporte móvil de la sierra (Fig. 8).
3. Instale las tres manillas de par.
4. Lleve nuevamente el soporte móvil a la parte superior de los tubos guía y apriete la traba del soporte móvil.
5. Invierta el procedimiento para retirar la guarda de la cuchilla.

### Instalación del encastre para el cordón



El encastre para el cordón mantiene el cordón alejado de la cuchilla de la sierra y de la pieza de trabajo.

1. Enlace los extremos del encastre para el cordón a la vez que los desliza por los tubos guía (Fig. 9). Será un ajuste apretado. Asiente los extremos firmemente.
2. Extraiga el retenedor de caucho de la anilla en el encastre para el cordón (Fig. 10).
3. Desenrolle el cordón y coloque el extremo del enchufe a través de la anilla.
4. Afloje la traba del soporte móvil y descienda el soporte móvil de la sierra hacia la parte inferior de los tubos guía. Apriete la traba del soporte móvil.
5. Tire del encastre para el cordón de manera que quede paralelo al suelo. Tire del cordón para remover cualquier huelgo en el mismo.
6. Abra el retenedor de caucho y tire de él sobre el cordón con el extremo pequeño del ahusamiento hacia la parte inferior.

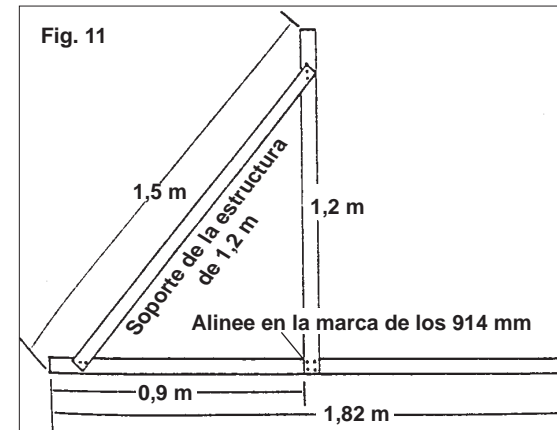
7. De la tapa del encastre para el cordón, presione el retenedor de caucho hacia la parte interior de la anilla en el encastre para el cordón con el extremo pequeño orientado hacia abajo. Si el extremo pequeño del ahusamiento se encuentra en la parte superior, el retenedor no mantendrá el cordón en su lugar.
8. Afloje la traba del soporte móvil y permita que el soporte móvil de la sierra regrese a la parte superior de los tubos guía. Apriete la traba del soporte móvil.
9. Tienda el cordón por encima de la parte superior de la sierra para tableros de modo que no interfiera con ésta.

Ahora se encuentra listo para utilizar su sierra para tableros. Consulte la sección "Operación" para instrucciones sobre uso adecuado.

### Alineación de la sierra para tableros

La sierra para tableros es alineada durante la fabricación a una tolerancia de  $\pm 0,8$  mm ( $\pm 1/32$ "). Se requiere una alineación en campo solamente si la unidad ha sido manejada sin cuidado, abusada, o si es necesario reemplazar el motor o las ruedas.

Fabricación de una herramienta para alineación en campo (Fig.11):



A fin de obtener una mayor precisión, fabrique una escuadra de prueba (Fig. 11) para verificar el movimiento total de la sierra. Fabrique la escuadra usando una regla de metal de 1,82 m (6') y dos reglas de metal de 1,2 m (5'). Las mediciones 0,9 m (3') - 1,2 m (4') - 1,5 m (5') aseguran la rectitud. Perfore orificios y adjunte las reglas con remaches tubulares

o pequeñas tuercas y pernos. Use una regla de 1,82 (6') m para verificar la rectitud de los rodillos y la regla de 1,2 m (4') para verificar la rectitud de los tubos guía. La herramienta servirá además de escuadra gigante para esquemas de montaje.

El proceso de alineación consiste de (4) pasos que deben realizarse en el orden siguiente.

### Paso 1 – Ajuste de los rodillos

1. Para verificar la alineación de los rodillos, retire las extensiones (de haber alguna).
2. Retraiga el soporte y recueste la herramienta de manera que se pueda acceder fácilmente a las tuercas de los rodillos. Con mucho cuidado, coloque la herramienta en la mesa con los tubos guía orientados hacia arriba.
3. Los rodillos extremos son estacionarios, así que ajuste todas las demás ruedas a los dos rodillos extremos. Coloque el borde recto de la herramienta de alineación en campo sobre los rodillos para verificar la alineación; todos los rodillos deben entrar en contacto con el borde.
4. Si un rodillo se halla "alto" o "bajo" con respecto del borde recto, sujete firmemente un borde recto de 1,5 m (5') de largo como mínimo a la parte superior de los rodillos de manera que quede

recostado en la estructura y contra los rodillos extremos, colocando las abrazaderas sobre el rodillo extremo.

5. Con el borde recto sujeto firmemente en su posición, gire cada uno de los rodillos para asegurarse que ninguno de ellos esté atascado o que quede demasiado huelgo entre ellos y el borde recto. Si un rodillo gira "tenso" o "flojo" con respecto del borde recto, afloje la tuerca del rodillo. A las tuercas de los rodillos se les ha aplicado un par torsor y se requiere por lo menos una barra quebrantadora de 460 mm (18") para aflojarlas.

6. Los rodillos son montados en un cubo excéntrico. Girar un rodillo cuando la tuerca del rodillo está floja ocasionará que el rodillo cambie de posición. Quizás tenga que elevar la barra del soporte móvil del rodillo frontal para girar el cubo excéntrico. Gire el rodillo hasta que entre

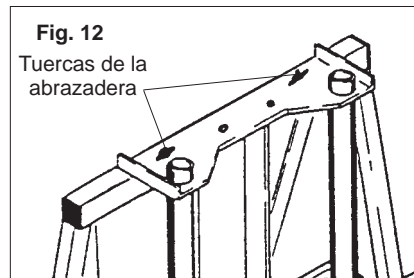
en contacto con el borde recto, cuidando de no doblar o arquear el borde recto cuando vuelva a colocar la rueda. Apriete bien la tuerca del rodillo, asegurándose de que el rodillo no cambie de posición. Repita este proceso según sea necesario para los demás rodillos.

7. Vuelva a colocar la herramienta en posición vertical.

### Paso 2 – Ajuste de los tubos guía

Si la sierra no corta a un ángulo de 90°, puede que los tubos guía no se encuentren perpendiculares a los rodillos. Desenchufe el cordón de la sierra antes de probar la alineación o hacer ajustes. Verifique la alineación de los rodillos antes de ajustar los tubos guía (consulte la sección “Ajuste de los rodillos”).

1. Para verificar la alineación del tubo guía, retire el conjunto de la guarda superior para exponer la cuchilla. Marque un diente para usarlo a modo de referencia. Si utiliza una cuchilla de acero de alta velocidad, marque un diente que esté orientado hacia el borde de la herramienta de alineación en campo.
2. Sujete firmemente la herramienta de alineación en campo al conjunto de rodillos y tire del soporte móvil de la sierra hacia abajo lentamente de manera que el diente de referencia apenas toque el borde vertical de la herramienta de alineación en campo. Continúe tirando del soporte móvil de la herramienta hacia abajo. Si la cuchilla no entra en contacto con la escuadra, o si la cuchilla se atora en la escuadra, los tubos guía no se encuentran alineados.
3. Para alinear los tubos guía, determine en qué dirección debe moverse la parte superior de la guía. Si la cuchilla gira en dirección hacia la escuadra, la guía superior se desplaza hacia la escuadra. Si la cuchilla gira en dirección contraria a la escuadra, la guía superior se desplaza en dirección la escuadra.



4. Afloje las tuercas de la abrazadera del tubo guía (Fig. 12), pero no retire la abrazadera del tubo.

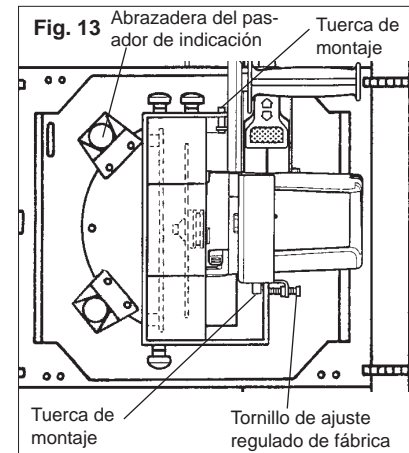
**NOTA:** La Figura 12 muestra el contrapeso desinstalado para propósitos de ilustración. No es necesario retirar el contrapeso para realizar este procedimiento.

5. Utilizando un mazo hueco, golpee la abrazadera por el lado y en la dirección que los tubos deben moverse.
6. Vuelva a verificar la rectitud de los tubos con respecto de los rodillos repitiendo el procedimiento según sea necesario.
7. Apriete las tuercas en la abrazadera del tubo guía superior.

### Paso 3 – Ajuste de la cuchilla – Paralelismo

La cuchilla debe quedar paralela a los tubos guía o, de lo contrario, podría quemarse la cola y producirse una ranura más ancha que el ajuste de la cuchilla. Lleve a cabo los siguientes ajustes solamente si la cuchilla pareciera estar desalineada. SIEMPRE verifique la alineación de los rodillos y los tubos guía antes de ajustar la cuchilla.

1. Para verificar el paralelismo de la cuchilla, coloque el soporte móvil de la sierra en la posición adecuada para realizar un corte transversal y haga un corte de prueba. Si la cuchilla “se inclina”, quema marcas en el corte, etc., verifique ambos lados del corte para determinar cuál lado de la cuchilla está ocasionando el problema.
2. Desconecte la herramienta.
3. Coloque la escuadra en los rodillos y descienda el soporte móvil de la sierra de manera que la escuadra sobresalga de la cuchilla.
4. Coloque la escuadra contra la cuchilla. El extremo frontal de la cuchilla debe entrar completamente en contacto con la escuadra. De lo contrario, la cuchilla no quedará paralela a la pieza de trabajo.



5. Afloje (pero no extraiga) las dos tuercas de cabeza hexagonal que sujetan la abrazadera del pasador de indicación. Si aparecen marcas de quemadura en el lado izquierdo de la pieza de trabajo, gire la sierra ligeramente en el sentido de las manillas del reloj hasta que el extremo frontal de la cuchilla entre completamente en contacto con la escuadra. Si aparecen marcas de quemadura en el lado derecho de la pieza de trabajo, gire la sierra ligeramente en sentido contrario a las manillas del reloj hasta que el extremo frontal de la cuchilla entre completamente en contacto con la escuadra. SOLAMENTE haga leves ajustes.

6. Apriete bien las dos tuercas de cabeza hexagonal que sujetan la abrazadera del pasador de indicación.
7. Enchufe la herramienta y haga otro corte de prueba. Repita el procedimiento de ser necesario.

### Paso 4 – Ajuste de la cuchilla – Perpendicularidad

Si retira el motor de la sierra sin asegurarse que el tornillo de ajuste regulado en fábrica entre en contacto con la placa en el motor de la sierra, entonces la cuchilla no quedará perpendicular (90°) a la pieza de trabajo, lo que dará como resultado cortes sin precisión.

1. Desconecte la herramienta.
2. Para realizar ajustes de perpendicularidad, afloje las dos tuercas de montaje en la parte frontal del motor de la sierra. El tornillo de ajuste está ubicado a la derecha de estas tuercas (Fig. 13).
3. Afloje la tuerca de fijación debajo de la abrazadera. Apriete o afloje el tornillo de ajuste dependiendo del ajuste de ángulo requerido. SOLAMENTE haga leves ajustes.
4. Apriete la tuerca de fijación, asegurándose que el tornillo se halle contra la placa vertical.
5. Apriete las dos tuercas hexagonales para asegurar la sierra.
6. Enchufe la herramienta y haga un corte de prueba. Repita el procedimiento de ser necesario.

## OPERACION



### ADVERTENCIA

A fin de reducir el riesgo de lesionarse, no opere la sierra sin las guardas en su lugar.

### Selección de una cuchilla

Con la herramienta se incluye una cuchilla Combinación/Longitudinal.

MILWAUKEE recomienda utilizar una de las cuchillas listadas en la sección “Accesorios”. Estas cuchillas proporcionarán un mejor rendimiento de la herramienta y el mejor corte. Mantenga siempre las cuchillas limpias y afiladas a modo de obtener el mejor rendimiento posible. Una cuchilla desafilada o sucia puede atorarse o quedar aplastada, y producir un contragolpe o un corte imperfecto.

### Cómo cambiar las cuchillas

1. Desconecte la herramienta.
2. Retire la guarda de la cuchilla (consulte la sección “Instalación de la guarda de la cuchilla”).
3. Para extraer el perno del husillo, use la llave provista con la herramienta y gire el perno en sentido contrario a las manillas del reloj a la vez que sostiene el botón de bloqueo del husillo.
4. Retire la brida externa, la cuchilla y la brida interna. Limpie el husillo, las bridas, el perno y la cuchilla para eliminar la acumulación de polvo y restos de material.
5. Vuelva a colocar la brida interna.
6. Instale la cuchilla con la flecha orientada en sentido contrario a las manillas del reloj.

7. Vuelva a colocar la brinda externa. Apriete el perno en el sentido de las manillas del reloj usando la llave provista con la herramienta a la vez que sostiene el botón de bloqueo del husillo.

8. Instale la guarda de la cuchilla (consulte la sección "Instalación de la guarda de la cuchilla").

**NOTA:** Quizás sea necesario reajustar las reglas luego de cambiar o volver a afilar las cuchillas (consulte la sección "Ajuste de las reglas").

### ADVERTENCIA

A fin de reducir el riesgo de lesionarse, asegúrese que la herramienta esté **APAGADA** antes de enchufarla.

#### Arranque y paro del motor

1. Para **arrancar** el motor de la sierra, empuje hacia arriba el interruptor. El interruptor permanecerá en dicha posición hasta que se empuje hacia abajo.
2. Para **detener** el motor de la sierra, empuje el interruptor hacia abajo.

### ADVERTENCIA

No corte piezas de trabajo de una anchura menor que la del soporte móvil de la sierra. A modo de garantizar la seguridad, se debe mantener el apoyo adecuado para la pieza de trabajo. Cuando el soporte móvil se mueve sobre la pieza de trabajo, será imposible apoyar la pieza de trabajo con seguridad para realizar el corte. Utilice una herramienta que se adecue mejor a estas aplicaciones.

#### Corte transversal

Un corte transversal es un corte vertical que debe hacerse siempre desde la parte superior hacia la parte inferior de la pieza de trabajo.

*MILWAUKEE* recomienda usar un Juego de barra de sujeción para el corte frecuente de piezas de trabajo menores de 6 mm (1/4") (consulte la sección "Accesorios").

La pieza de trabajo debe ser apoyada, como mínimo, por dos rodillos. Cuando use un Juego de guía de corte intermedio, el material debe extenderse, como mínimo,

102 mm (4") del soporte móvil de la sierra en cualquiera de los lados.

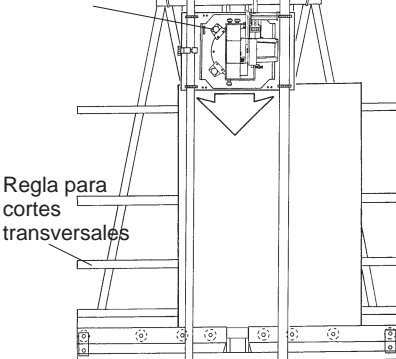
Para cortar con mayor facilidad y obtener un mejor rendimiento, *MILWAUKEE* recomienda usar un Juego de extensión cuando realice cortes transversales en piezas de trabajo que se extiendan 1,5 m (5') o más de la cuchilla en uno de los lados. No realice cortes transversales en piezas de trabajo de más de 2,4 m (8').

### ADVERTENCIA

A fin de reducir el riesgo de lesionarse, no coloque las manos sobre o debajo del soporte móvil de la sierra o en la trayectoria de la cuchilla.

Fig. 14

Pasador de indicación



Realización del corte:

1. Gire el motor de la sierra a la posición de corte transversal (Fig. 14). Para girar el motor, con una mano tire hacia fuera de los pasadores de indicación y con la otra gire el motor de la sierra. Bloquee los pasadores de indicación en el orificio preajustado del soporte móvil de la sierra. Los pasadores es accionado por resorte y debe encajar en su posición.
2. Afloje la traba del soporte móvil y permita que el motor de la sierra alcance la parte superior de la herramienta. El motor de la sierra está conectado al cable del contrapeso y debe elevarse hasta la parte superior de los tubos guía por sí mismo. De lo contrario, consulte "Lubricación de los tubos guía" en la sección "Mantenimiento".
3. Enchufe la herramienta.

4. Coloque la pieza de trabajo en los rodillos. No deje caer el material; esto podría ocasionar la desalineación de los rodillos o dañarlos.

Deslice la pieza de trabajo a la posición deseada usando la regla para cortes transversales como medida.

5. Arranque el motor y permita que alcance la velocidad plena antes de comenzar el corte.
6. Cuando el motor haya alcanzado la velocidad plena, tire del motor de la sierra lentamente hacia abajo a través de la pieza de trabajo, manteniendo su mano en la empuñadura.
7. Una vez haya finalizado el corte, apague la herramienta y espere a que la cuchilla se detenga completamente.
8. Eleve el motor de la sierra y permita que el motor de la sierra regrese a la parte superior de los tubos guía.
9. Apriete la traba del soporte móvil.

**NOTA:** Una cuchilla que gire por inercia puede estropear el borde de una pieza de trabajo acabada de cortar.

### ADVERTENCIA

No corte piezas de trabajo de una anchura menor que la del soporte móvil de la sierra. A modo de garantizar la seguridad, se debe mantener el apoyo adecuado para la pieza de trabajo. Cuando el soporte móvil se mueve sobre la pieza de trabajo, será imposible apoyar la pieza de trabajo con seguridad para realizar el corte. Utilice una herramienta que se adecue mejor a estas aplicaciones.

#### Corte longitudinal

Un corte longitudinal es un corte horizontal que debe hacerse de IZQUIERDA A DERECHA o de DERECHA A IZQUIERDA, pero la pieza de trabajo debe moverse siempre a través de la sierra en la dirección de la flecha en el motor de la sierra.

*MILWAUKEE* recomienda usar un Juego de barra de sujeción para el corte frecuente de piezas de trabajo menores de 6 mm (1/4") (consulte la sección "Accesorios").

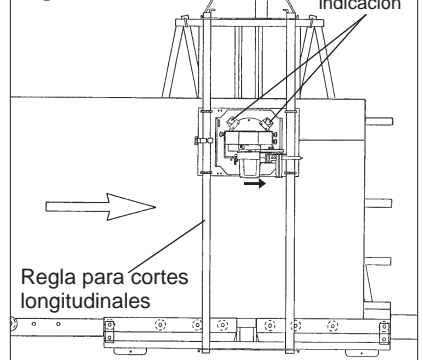
La longitud mínima recomendada para cortes transversales es 762 mm (30") (pieza de trabajo apoyada por cuatro rodillos). El mismo tamaño aplica si usted utiliza el Juego de guía de corte intermedio.

Para cortar con mayor facilidad y obtener un mejor rendimiento, *MILWAUKEE* recomienda usar un Juego de extensión cuando realice cortes longitudinales en piezas de trabajo de más de 1,8 m (6') (consulte la sección "Accesorios"). No realice cortes longitudinales en piezas de trabajo de más de 2,4 m (8').

### ADVERTENCIA

A fin de reducir el riesgo de lesionarse, el corte longitudinal debe realizarse siempre moviendo la pieza de trabajo a través de la sierra en dirección de la flecha en el motor de la sierra.

Fig. 15



1. Seleccione el corte desde la izquierda o la derecha, según su preferencia. Gire el motor de la sierra a la posición de corte longitudinal (Fig. 15). Para girar el motor, con una mano tire hacia fuera de los pasadores de indicación y con la otra gire el motor de la sierra. Bloquee los pasadores de indicación en uno de los orificios preajustados del soporte móvil de la sierra. Los pasadores es accionado por resorte y debe encajar en su posición. Asegúrese de proteger a las personas presentes contra la herramienta.
2. Seleccione la altura de la sierra según la pieza de trabajo, siguiendo la medida en la regla para cortes longitudinales.
3. Apriete bien la traba del soporte móvil.
4. Enchufe la herramienta.
5. Arranque el motor y permita que alcance la velocidad plena antes de comenzar el corte.
6. Coloque la pieza de trabajo en los rodillos. No deje caer el material; esto podría ocasionar la desalineación de los rodillos o dañarlos.



## ADVERTENCIA

A fin de reducir el riesgo de lesiones o daño a la herramienta, no use empujadores. Los empujadores o la pieza de trabajo pueden retroceder, causar que la cuchilla se atore, o quedar atrapados en la cuchilla y desprenderse de la herramienta.

7. Cuando el motor haya alcanzado la velocidad plena, mueva la pieza de trabajo lentamente a través de la sierra en dirección de la flecha de avance en el motor de la sierra. Evite colocar sus manos, vestimenta o partes del cuerpo debajo del soporte móvil de la sierra. No mire directamente por debajo de la línea de corte ya que la operación genera polvo y restos de material. No use empujadores.



## ADVERTENCIA

A fin de reducir el riesgo de lesiones, siempre proteja a las personas presentes contra la herramienta. Nunca mire por debajo de la línea de corte ya que la operación genera polvo y restos de material.

8. Una vez haya finalizado el corte, apague la herramienta y espere a que la cuchilla se detenga completamente.

## ACCESORIOS



## ADVERTENCIA

Para reducir el riesgo de lesiones, desconecte siempre su herramienta antes de colocar o retirar un accesorio. Use solo accesorios recomendados específicamente. Otros pueden ser peligrosos.

Para una lista completa de accesorios, refiérase a su catálogo *MILWAUKEE* Electric Tool o visite nuestro sitio en Internet: [www.milwaukeetool.com](http://www.milwaukeetool.com). Para obtener un catálogo, contacte su distribuidor local o uno de los centros.

**Juego de barra de sujeción** (49-22-8100) Sostiene en su lugar material delgado y flexible, brindando así cortes libres de vibraciones. Los brazos con resorte tienen rodillos

9. Retire el material de desecho y la pieza de trabajo acabada de la herramienta.
10. Vuelva a colocar el soporte móvil de la sierra a la posición más elevada en los tubos guía.
11. Apriete la traba del soporte móvil.

NOTA: Al terminar el cortado al hilo, regrese el soporte móvil a la posición de corte transversal.

### Realización de cortes menores de 25 mm (1")

Cuando realice cortes menores de 25 mm (1"), la guarda contra vibraciones (ubicada dentro de la guarda de la cuchilla) debe encontrarse sobre la pieza de trabajo y no sobre la pieza de corte. Si la guarda contra vibraciones se encuentra sobre la pieza de corte, quedará atascada en la pieza de trabajo y evitará que el soporte móvil continúe a través del corte. Si la sierra se atasca, APAGUE la herramienta y espere a que la cuchilla se detenga. Luego extraiga la sierra levemente del corte.

### Función de liberación de bloqueo

Desenchufe la herramienta antes de instalar el candado. El interruptor tiene un orificio a través del cual el candado (no incluido con la herramienta) entrará para bloquear la herramienta con la misma no esté en uso. Utilice un candado con una argolla de 38 mm (1/2") y un diámetro de 8 mm (5/16") (tal como el candado Master Lock modelo 1KALJ).

de nylon incorporados para evitar que el material se estropee. Se adaptará a materiales de hasta 19 mm (3/4") de grosor.

### Juego de calibración Quick-Stop (49-22-8102)

Le permite acomodar rápidamente y con precisión un bloque de tope corredizo de aluminio para cortar diferentes longitudes de material.

### Juego captador de polvo (49-22-8105)

El juego autónomo capta polvo y restos de material. Se requiere una aspiradora. *MILWAUKEE* recomienda utilizar las aspiradoras con número de modelo: 8911, 8912, 8925 y 8935.

La manguera para accesorios incluida con el juego tiene un diámetro interno de 38 mm (1-1/2").

### Juego de ruedas (49-22-8106)

Contiene dos ruedas para facilitar el transporte de la sierra de 203 mm (8").

### Juego de extensión (49-22-8108)

Para cortar con mayor facilidad y obtener un mejor rendimiento, *MILWAUKEE* recomienda usar un Juego de extensión cuando: piezas de trabajo de corte transversal que se extienden 1,5 m (5') o más de la cuchilla en un lado; y cuando las piezas de trabajo de corte longitudinal son de más de 1,82 m (6').

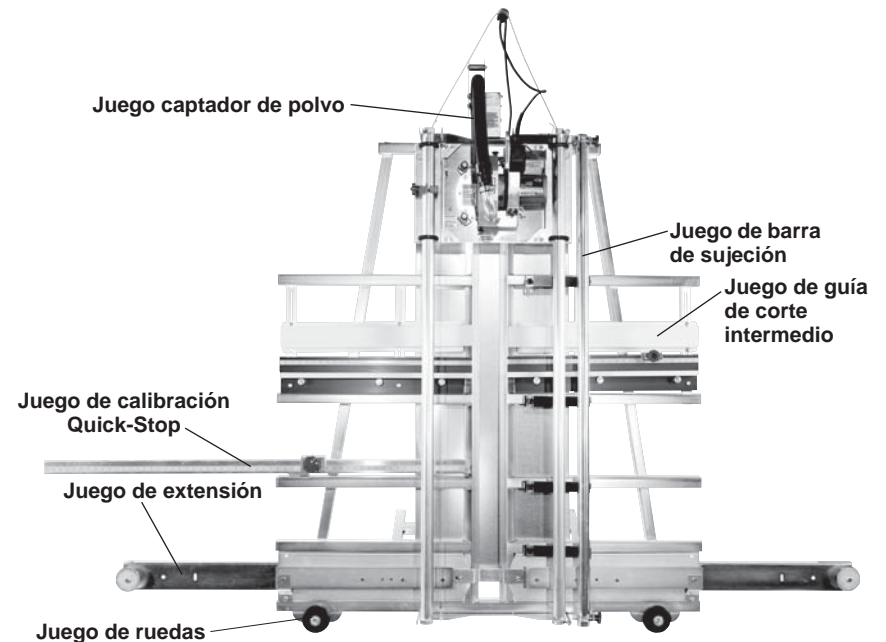
### Juego de guía de corte intermedio (49-22-8110)

Le permite cortar paneles pequeños a la altura de la cintura en la estructura de la sierra de 203 mm (8"). El juego incluye lados para uso con la mano izquierda y derecha, reglas de 762 mm (30"), un bloque de tope manual y guías de corte de madera de cambio rápido.

### Cuchillas de la sierra

Para obtener el mejor rendimiento y un corte de mayor precisión, *MILWAUKEE* recomienda utilizar las siguientes cuchillas que aparecen en la tabla.

| Cat. No.   | Descripción              | No. de dientes | Grosor de la ranura | Diámetro        |
|------------|--------------------------|----------------|---------------------|-----------------|
| 48-40-4148 | Encuadrado/Longitudinal  | 18             | 1,8 mm (0,071")     | 210 mm (8-1/4") |
| 48-40-4150 | Longitudinal/Transversal | 24             | 1,8 mm (0,071")     | 210 mm (8-1/4") |
| 48-40-4152 | Corte/Acabado            | 40             | 1,8 mm (0,071")     | 210 mm (8-1/4") |
| 48-40-4154 | Longitudinal/Transversal | 24             | 3,1 mm (0,122")     | 210 mm (8-1/4") |
| 48-40-4156 | Corte/Acabado            | 40             | 3,1 mm (0,122")     | 210 mm (8-1/4") |
| 48-40-4158 | Corte/Acabado            | 60             | 3,1 mm (0,122")     | 210 mm (8-1/4") |



## MANTENIMIENTO



### ADVERTENCIA

**Para reducir el riesgo de lesiones, desconecte siempre la herramienta antes de darle cualquier mantenimiento. Nunca desarme la herramienta ni trate de hacer modificaciones en el sistema eléctrico de la misma. Acuda siempre a un Centro de Servicio MILWAUKEE para TODAS las reparaciones.**

#### Mantenimiento de las herramientas

Adopte un programa regular de mantenimiento y mantenga su herramienta en buenas condiciones. Antes de usarla, examine las condiciones generales de la misma. Inspeccione guardas, interruptores, el cable de la herramienta y el cable de extensión. Busque tornillos sueltos o flojos, defectos de alineación y dobleces en partes móviles, así como montajes inadecuados, partes rotas y cualquier otra condición que pueda afectar una operación segura. Si detecta ruidos o vibraciones anormales, apague la herramienta de inmediato y corrija el problema antes de volver a usarla. No utilice una herramienta dañada. Colóquele una etiqueta que diga "NO DEBE USARSE" hasta que sea reparada (vea "Reparaciones").

Bajo condiciones normales, no se requiere lubricación hasta que haya que cambiar los carbones. Después de 6 meses a un año, dependiendo del uso dado, envíe su herramienta al Centro de Servicio MILWAUKEE más cercano para que le hagan:

- Lubricación
- Inspección y cambio de carbones
- Inspección mecánica y limpieza (engranes, flechas, baleros, carcarza, etc.)
- Inspección eléctrica (interruptor, cable, armadura, etc.)
- Probarla para asegurar una operación mecánica y eléctrica adecuada.

#### Lubricación de los tubos guía

El soporte móvil de la sierra debe elevarse por sí mismo desde la parte inferior hasta la parte superior de los tubos guía. No obstante, si el polvo o restos de material se aglutinan en los tubos, el soporte móvil de la sierra se agarrotará o quizás no se deslice uniformemente. Periódicamente limpie los tubos guía con un paño húmedo, siguiendo las direcciones en la sección "Limpieza". Luego, use un lubricante seco tal como el PTFE o silicona en aerosol. Otros lubricantes podrían ocasionar que el polvo y restos de material se acumularan en los tubos y contaminaran los cojinetes.



### ADVERTENCIA

**Para reducir el riesgo de lesiones, descarga eléctrica o daño a la herramienta, nunca la sumerja en líquidos ni permita que estos fluyan dentro de la misma.**

#### Limpieza

Limpie el polvo y suciedad de las ventilas. Mantenga las empuñaduras de la herramienta limpias, secas y libres de aceite y grasa. Use sólo jabón neutro y un trapo húmedo para limpiar su herramienta ya que algunas sustancias y disolventes limpiadores pueden ocasionar daños a materiales plásticos y partes aislantes. Algunos de estos incluyen: gasolina, trementina, diluyente para barniz, diluyente para pintura, disolventes limpiadores clorados, amoníaco, y detergentes caseros que contengan amoníaco.

#### Reparaciones

Si su instrumento se daña, vuelva el instrumento entero al más cercano centro de reparaciones.

## GARANTÍA LIMITADA DE CINCO AÑOS

Cada herramienta eléctrica MILWAUKEE (incluyendo el cargador de batería) está garantizada sólo al comprador original de estar libre de defectos en el material y la mano de obra. Sujeto a ciertas excepciones, MILWAUKEE reparará o reemplazará por un período de cinco (5) años\* después de la fecha de compra cualquier pieza en una herramienta eléctrica que, después de haber sido examinada, MILWAUKEE determine que está defectuosa en el material o la mano de obra. Regrese la herramienta eléctrica y una copia de la prueba de compra a un concesionario de soporte de ventas/servicio de fábrica MILWAUKEE o a una estación de servicio autorizada MILWAUKEE. Para que esta garantía sea efectiva, se requiere el flete pagado por anticipado y el seguro. Esta garantía no aplica a los daños que MILWAUKEE determine sean ocasionados por reparaciones o intentos de reparación por cualquier otro que personal autorizado por MILWAUKEE, uso indebido, alteraciones, abuso, desgaste y deterioro normal, falta de mantenimiento o accidentes.

\* El plazo de garantía para los montacargas (de palanca, de cadena manual y de cadena eléctrica), de todas las baterías de Ni-Cd, de las linternas de trabajo (inalámbricas), de los radios para el lugar de trabajo, y de los carros Trade Titan™ para trabajo industrial es de un (1) año a partir de la fecha de compra. \*El plazo de garantía para las baterías de iones de litio que no incluyan tecnología V™ (desde 4,0 voltios hasta 18,0 voltios) es de dos (2) años a partir de la fecha de compra.

\*Existe una garantía por separado para las baterías de iones de litio con tecnología V™ (de 18 voltios o más) que viene incluida con las herramientas eléctricas que poseen tecnología V™:

\*Cada batería de iones de litio de tecnología V™ de MILWAUKEE de 18 voltios o superior, está cubierta con una garantía de reemplazo gratuito por las primeras 1000 cargas/2 años. Esto significa que por lo que suceda primero, las primeras 1000 cargas o dos (2) años de la fecha de compra/primer carga, se proporcionará sin cargo al cliente, una batería de reemplazo por cualquier batería defectuosa. A partir de entonces, los clientes recibirán una garantía adicional en una base proporcional que puede ser hasta de las primeras 2000 cargas o cinco (5) años de la fecha de compra/primer carga, lo que suceda primero. Esto significa que cada cliente obtiene una garantía proporcional de 1000 cargas o tres (3) años adicionales en la batería de iones de litio de tecnología V™ de 18 voltios o superior, dependiendo de la cantidad de uso. Durante este período adicional de garantía, el cliente paga por sólo el servicio utilizable recibido durante y superior a las primeras 1000 cargas/2 años, de acuerdo a la fecha de la primera carga y al número de cargas encontradas en la batería a través del lector de servicio de tecnología V™ de MILWAUKEE.

El registro de la garantía no es necesario para obtener la garantía aplicable en un producto MILWAUKEE. Sin embargo, se requiere un recibo de compras u otra información similar que MILWAUKEE considere suficiente.

LA ACEPTACIÓN DE LOS REMEDIOS EXCLUSIVOS DE REPARACIÓN Y REEMPLAZO AQUÍ DESCRITOS ES UNA CONDICIÓN DEL CONTRATO EN LA COMPRA DE CADA PRODUCTO MILWAUKEE. SI NO ESTÁ DE ACUERDO CON ESTA CONDICIÓN, NO DEBERÍA COMPRAR ESTE PRODUCTO. EN NINGÚN CASO MILWAUKEE SERÁ RESPONSABLE POR CUALESQUIER DAÑO PUNITIVO, CONSECUENTE, ESPECIAL, INCIDENTAL O POR CUALESQUIER COSTO, HONORARIOS DE ABOGADO, GASTOS, PÉRDIDAS O RETRASOS QUE SE ARGUMENTE QUE SEAN UNA CONSECUENCIA DE CUALQUIER DAÑO A, FALLA DE, O DEFECTO EN CUALQUIER PRODUCTO, INCLUYENDO, PERO SIN LIMITARSE A, CUALQUIER RECLAMO POR PÉRDIDAS DE GANANCIAS. ESTA GARANTÍA ES EXCLUSIVA Y REEMPLAZA TODAS LAS DEMÁS GARANTÍAS O CONDICIONES, ORALES O ESCRITAS, EXPRESAS O IMPLÍCITAS. SIN LIMITAR LA GENERALIDAD DE LO ANTERIOR, MILWAUKEE RENUNCIA A TODA GARANTÍA IMPLÍCITA DE COMERCIABILIDAD O APTITUD PARA UN FIN O USO ESPECÍFICO Y DEMÁS GARANTÍAS.

Esta garantía es válida solamente en el producto vendido en los Estados Unidos, México y Canadá.

## UNITED STATES - MILWAUKEE Service

MILWAUKEE prides itself in producing a premium quality product that is NOTHING BUT HEAVY DUTY®. Your satisfaction with our products is very important to us! If you encounter any problems with the operation of this tool, or you would like to locate the factory Service/Sales Support Branch or *authorized service station* nearest you, please call...

### 1-800-SAWDUST

(1.800.729.3878)

Monday-Friday  
7:00 AM - 6:30 PM  
Central Time

or visit our website at

[www.milwaukeetool.com](http://www.milwaukeetool.com)

For service information, use the 'Service Center Search' icon found in the 'Parts & Service' section.

Additionally, we have a nationwide network of *authorized* Distributors ready to assist you with your tool and accessory needs. Check your "Yellow Pages" phone directory under "Tools-Electric" for the names & addresses of those nearest you or see the 'Where To Buy' section of our website.

### Contact our Corporate After Sales Service Technical Support about ...

- Technical Questions
- Service/Repair Questions
- Warranty

call: 1-800-SAWDUST

fax: 1.800.638.9582

email: [metproductsupport@milwaukeetool.com](mailto:metproductsupport@milwaukeetool.com)

### Register your tool online at [www.milwaukeetool.com](http://www.milwaukeetool.com) and...

- receive important notifications regarding your purchase
- ensure that your tool is protected under the warranty
- become a HEAVY DUTY club member

## Canada - Service MILWAUKEE

MILWAUKEE est fier de proposer un produit de première qualité NOTHING BUT HEAVY DUTY®. Votre satisfaction est ce qui compte le plus!

En cas de problèmes d'utilisation de l'outil ou pour localiser le centre de service/ventes ou le *centre d'entretien* le plus proche, appelez le...

416.439.4181

fax: 416.439.6210

Milwaukee Electric Tool (Canada) Ltd

755 Progress Avenue  
Scarborough, Ontario M1H 2W7

Notre réseau national de distributeurs *agréés* se tient à votre disposition pour fournir l'aide technique, l'outillage et les accessoires nécessaires. Composez le 416.439.4181 pour obtenir les noms et adresses des revendeurs les plus proches ou bien consultez la section «Où acheter» sur notre site web à l'adresse

[www.milwaukeetool.com](http://www.milwaukeetool.com)

## MEXICO - Soporte de Servicio MILWAUKEE

Milwaukee Electric Tool, S.A. de C.V.

Bld. Abraham Lincoln no. 13

Colonia Los Reyes Zona Industrial

Tlalnepanitla, Edo. México C.P. 54073

Tel. (55) 5565-1414 Fax: (55) 5565-6874

Adicionalmente, tenemos una red nacional de distribuidores *autorizados* listos para ayudarle con su herramienta y sus accesorios. Por favor, llame al (55) 5565-1414 para obtener los nombres y direcciones de los más cercanos a usted, o consulte la sección 'Where to buy' (Dónde comprar) de nuestro sitio web en

[www.milwaukeetool.com](http://www.milwaukeetool.com)

Registre su herramienta en línea, en [www.milwaukeetool.com](http://www.milwaukeetool.com) y...

- reciba importantes avisos sobre su compra
- asegúrese de que su herramienta esté protegida por la garantía
- conviértase en integrante de Heavy Duty

MILWAUKEE ELECTRIC TOOL CORPORATION

13135 West Lisbon Road • Brookfield, Wisconsin, U.S.A. 53005

58-14-6485d9

09/08

Printed in China